

## SMD PCB Terminal Block with Push-Buttons; 1.5 mm<sup>2</sup>

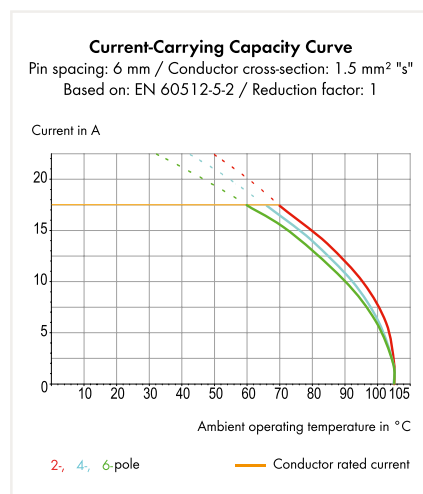
### Pin Spacing: 6 mm

### 2061 Series

1



- SMD PCB terminal blocks with Push-in CAGE CLAMP® connection technology and push-buttons
- Just 5.6 mm tall
- Push-in termination of solid and ferruled conductors
- Push-button for easy connection and disconnection of all conductor types
- Available in tape-and-reel packaging for automated assembly



Electrical Data	1-pole			2-/3-pole		
Pin spacing	6 mm / 0.157 inch			6 mm / 0.157 inch		
Ratings per	IEC/EN 60664-1			IEC/EN 60664-1		
Overvoltage category	III	III	II	III	III	II
Pollution degree	3	2	2	3	2	2
Rated voltage	250 V	320 V	630 V	250 V	320 V	630 V
Rated surge voltage	4 kV	4 kV	4 kV	4 kV	4 kV	4 kV
Rated current	17.5 A	17.5 A	17.5 A	17.5 A	17.5 A	17.5 A
Approvals per	UL 1977			UL 1977		
Use group	B	D		B	D	
Rated voltage	600 V	600 V		300 V	300 V	
Rated current	10 A	5 A		10 A	10 A	

Connection Data	
Connection technology	Push-in CAGE CLAMP®
Strip length	7 ... 10 mm <sup>2</sup> / 0.28 ... 0.39 inch
Conductor entry angle to the PCB	0°
Conductor range	
Solid conductor	0.5 ... 1.5 mm <sup>2</sup> / 20 ... 16 AWG
Fine-stranded conductor	0.5 ... 1.5 mm <sup>2</sup> / 20 ... 16 AWG
Fine-stranded conductor; with insulated ferrule	0.5 ... 0.75 mm <sup>2</sup>
Fine-stranded conductor; with uninsulated ferrule	0.5 ... 0.75 mm <sup>2</sup>

Material Data	
Material group	I
Insulating material	Polyphthalamide (PPA GF)
Flammability class per UL94	V0
Limit temperature range	-60 ... +105 °C
Contact material	Copper alloy
Contact plating	Tin-plated

#### Application notes:

Suitable for lead-free, reflow-soldering profiles per DIN EN 61760-1 and IEC 60068-2-58 up to max. 260°C peak temperature. Due to customer-specific variables (e.g., component configuration and orientation, type of soldering machine, solder paste), trial runs are recommended to ensure product and process compatibility under actual manufacturing conditions.

#### Recommendation for SMD stencil:

150 µm material thickness; pattern layout identical to solder pad layout

\*(III / 2) ≙ Overvoltage category III / Pollution degree 2

# SMD PCB Terminal Block with Push-Buttons; in Tape-and-Reel Packaging; 1.5 mm<sup>2</sup>; Pin Spacing: 6 mm 2061 Series

**PUSH-IN CAGE CLAMP®**

White\*; Reel diameter: 330 mm

Black; Reel diameter: 330 mm



Push-in termination of solid conductors

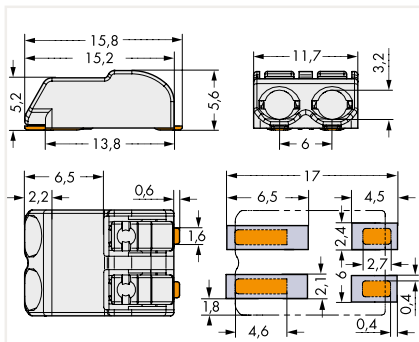
1

Pole No.	Item No.	Pack. Unit
1	2061-601/998-404	8100 (900)
2	2061-602/998-404	6300 (700)
3	2061-603/998-404	4050 (450)

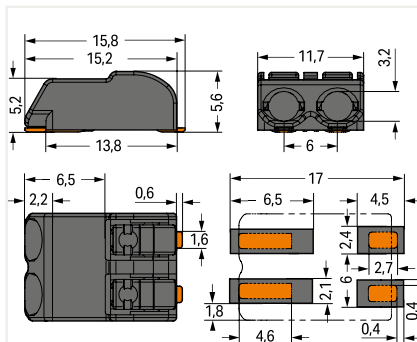
Pole No.	Item No.	Pack. Unit
1	2061-621/998-404	8100 (900)
2	2061-622/998-404	6300 (700)
3	2061-623/998-404	4050 (450)

\*Depending on reflow soldering temperatures and times, color deviations may occur. These deviations will have no impact on functionality.

Dimensions (in mm):

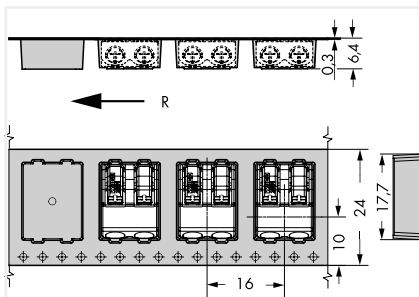


Dimensions (in mm):



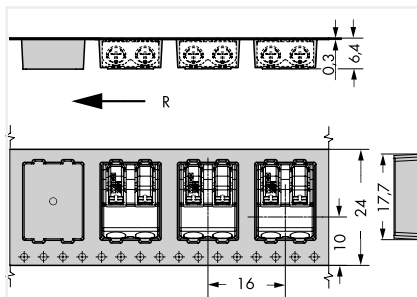
Inserting/removing fine-stranded conductors by lightly pressing on a push-button (e.g., via 206-861 Operating Tool).

Dimensions (in mm):



R = Feed direction  
A = 12 mm (1-pole)  
A = 16 mm (2-pole)  
A = 22 mm (3-pole)

Dimensions (in mm):



R = Feed direction  
A = 12 mm (1-pole)  
A = 16 mm (2-pole)  
A = 22 mm (3-pole)



Available in tape-and-reel packaging for automated assembly