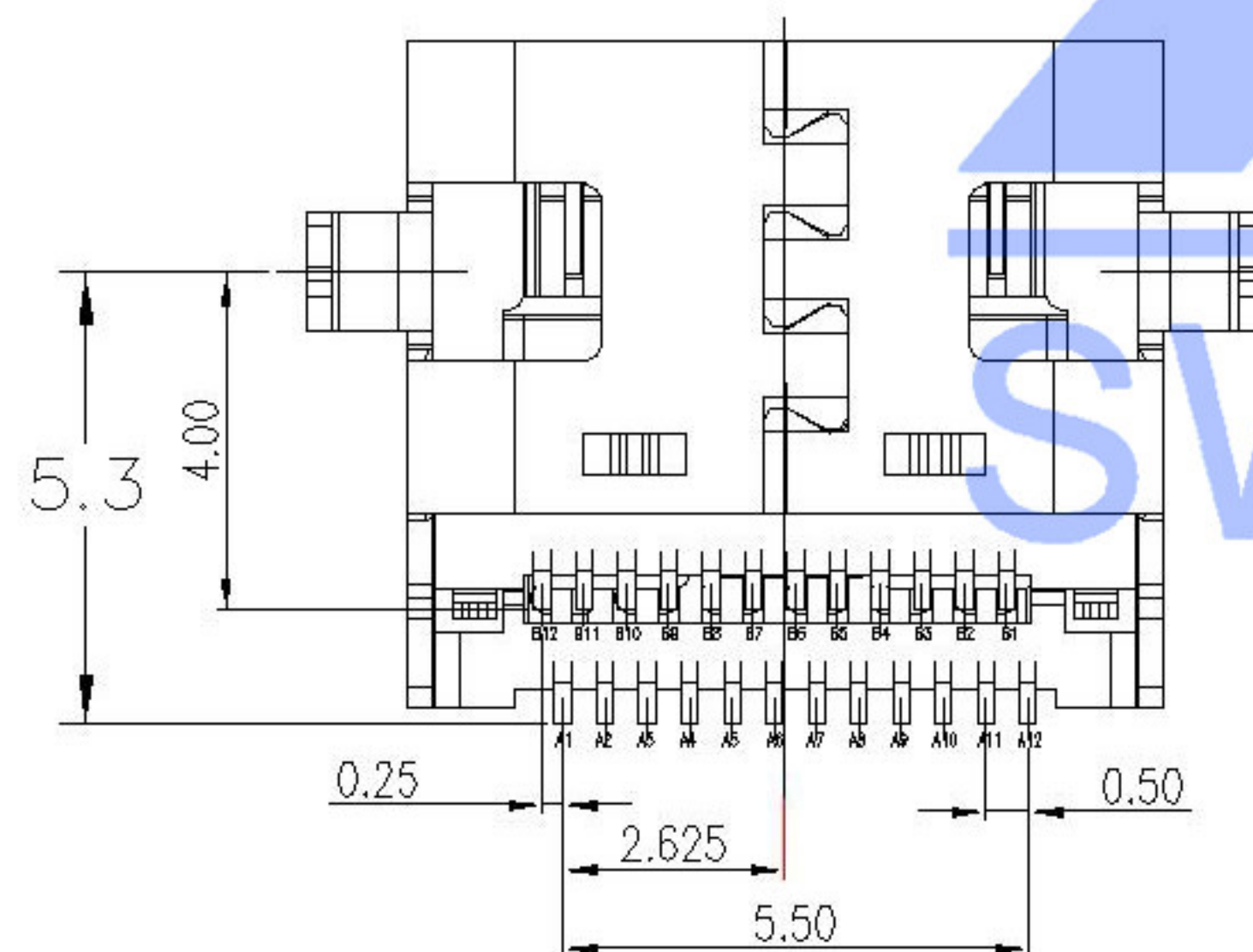
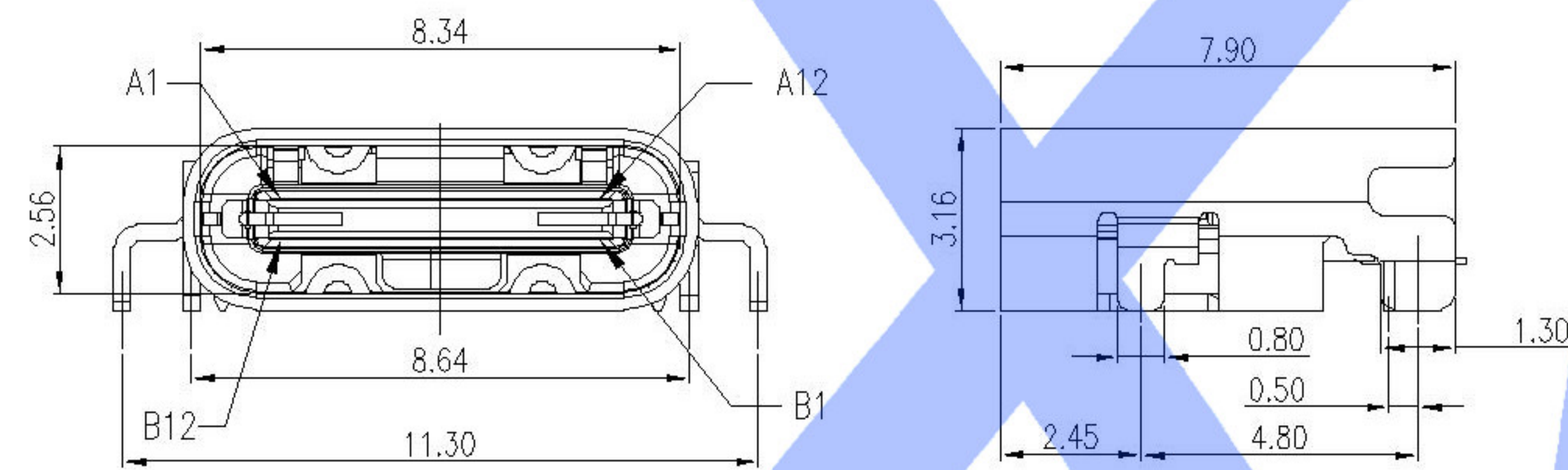


A1	GND	B12	GND
A2	SSTXP1	B11	SSRXP1
A3	SSTXN1	B10	SSRXN1
A4	VBUS	B9	VBUS
A5	CC1	B8	SBU2
A6	DP1	B7	DN2
A7	DN1	B6	DP2
A8	SBU1	B5	CC2
A9	VBUS	B4	VBUS
A10	SSRXN2	B3	SSTXN2
A11	SSRXP2	B2	SSTXP2
A12	GND	B1	GND
PIN	SIGNAL NAME	PIN	SIGNAL NAME



- NOTES:
- ELECTRICAL:
 - CURRENT RATING: 3A MAX;
 - INSULATION RESISTANCE: 100MΩ MIN;
 - CONTACT RESISTANCE: 40mΩ MAX;
 - WITHSTANDING VOLTAGE: 100V AC;
 - OPERATING TEMPERATURE: -30°C TO +85°C.
 - Mechanical:
 - INSERTION FORCE: 5N~20N.
 - UNMATING FORCE: 8N~20N.
 - DIMENSIONS MARKED "▼" TO BE CHECKED BY Q.C & IPQC.

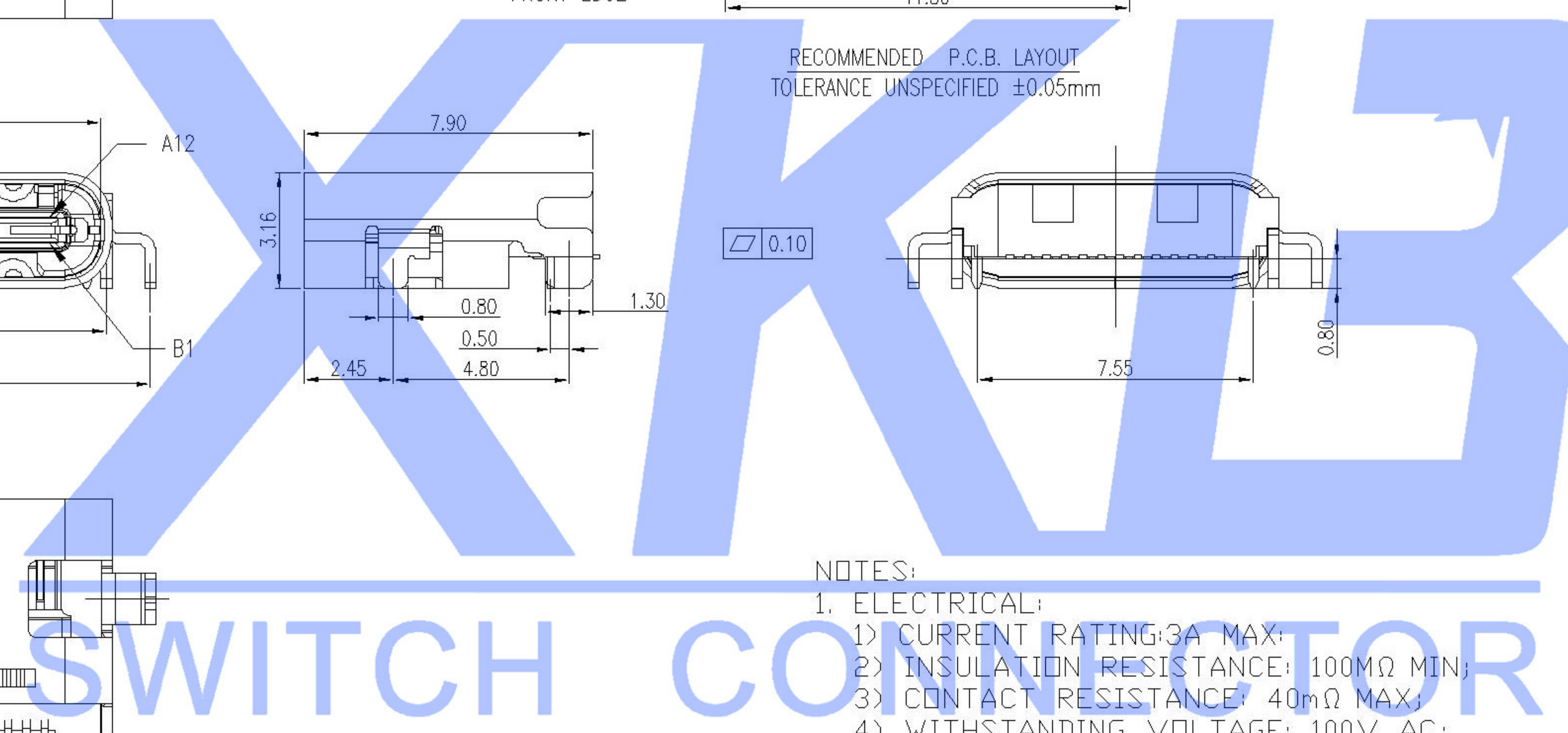
4. PART NO.

U262-24XN-4BVC16

1: Au 1U*
2: Au 3U*
5: Au 15U*
6: Au 30U*

1: PBT
2: PA6T
3: PA9T
4: LCP

W: WHITE
B: BLACK



DSND		DATE		SCALE: N/A	MODEL TYPE: 3.1 TYPE C
DWN		DATE		VIEW:	PART NO.:
CHKD		DATE		UNIT: mm	DWG NO.: U262-24XN-4BVC16
APPD		DATE		SIZE: A4	WEIGHT 1.0g
UNSPECIFIED TOLERANCES				XKB INDUSTRIAL PRECISION CO., LIMITED	SHEET 1/1
REVISIONS					REVISION A0
www.xk-dg.cn www.1k0k.com www.1k0k.cn					

ΔX					ANGLAR ±5°
ΔX					L ≤ 4 ±0.2
ΔX					4 < L ≤ 16 ±0.3
MARK	DESCRIPTION	DATE	REVISED	APPROVED	16 < L ≤ 63 ±0.4
					L > 63 ±0.5