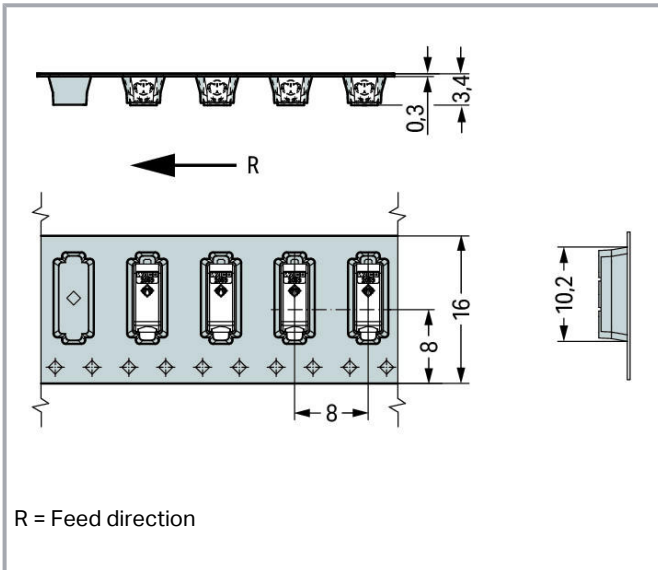
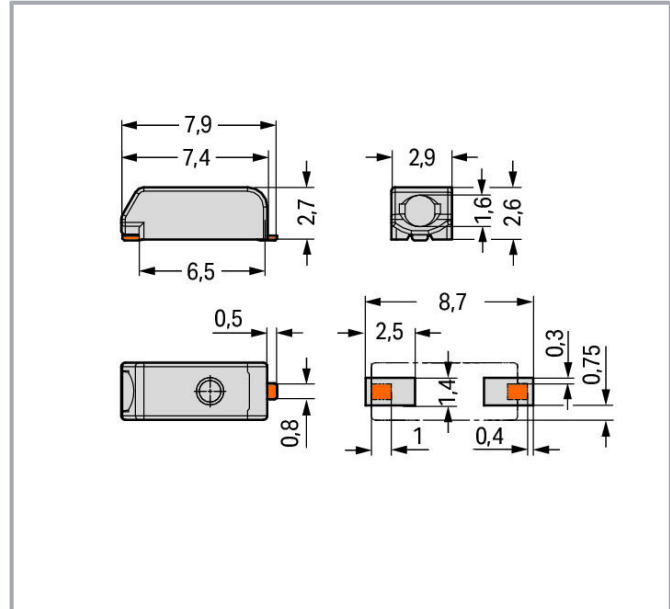


| : 2059-301/998-403

SMD PCB terminal block; 0.5 mm²; Pin spacing 3 mm; 1-pole; PUSH WIRE®; in tape-and-reel packaging



www.wago.com/2059-301/998-403



- SMD PCB terminal blocks with PUSH WIRE® connection technology

WAGO Korea Co., Ltd.
Room A413~A416, A dong
Indukwon IT Valley Building, Imiro 40
Poil-dong, Uiwang-Si, Gyeonggi-do, South Korea
+82 314219500 | Email: info.korea@wago.com

?
. +82(0)31 421 9500 .

- Push-in termination of solid conductors
- Easy conductor removal via operating tool
- Height of just 2.7 mm
- Assemble terminal blocks without pole loss
- Available in tape-and-reel packaging for automated assembly

Note:

Application notes:

Suitable for lead-free, reflow-soldering profiles per DIN EN 61760-1 and IEC 60068-2-58 up to max. 260°C peak temperature. Due to application-specific variables (component configuration and orientation, type of soldering machine, solder paste), trial runs are recommended to ensure product and process compatibility under actual manufacturing conditions.

Note:

Depending on reflow soldering temperatures and times, color deviations may occur. These deviations will have no impact on functionality.

Recommendation:

Recommendation for stencil:

Material thickness: 150 µm; Pattern layout identical to solder pad layout

Installation Notes

Conductor termination



Insert solid conductors via push-in termination.

Conductor termination

!



Easy conductor removal, e.g., via operating tool (206-859)

!