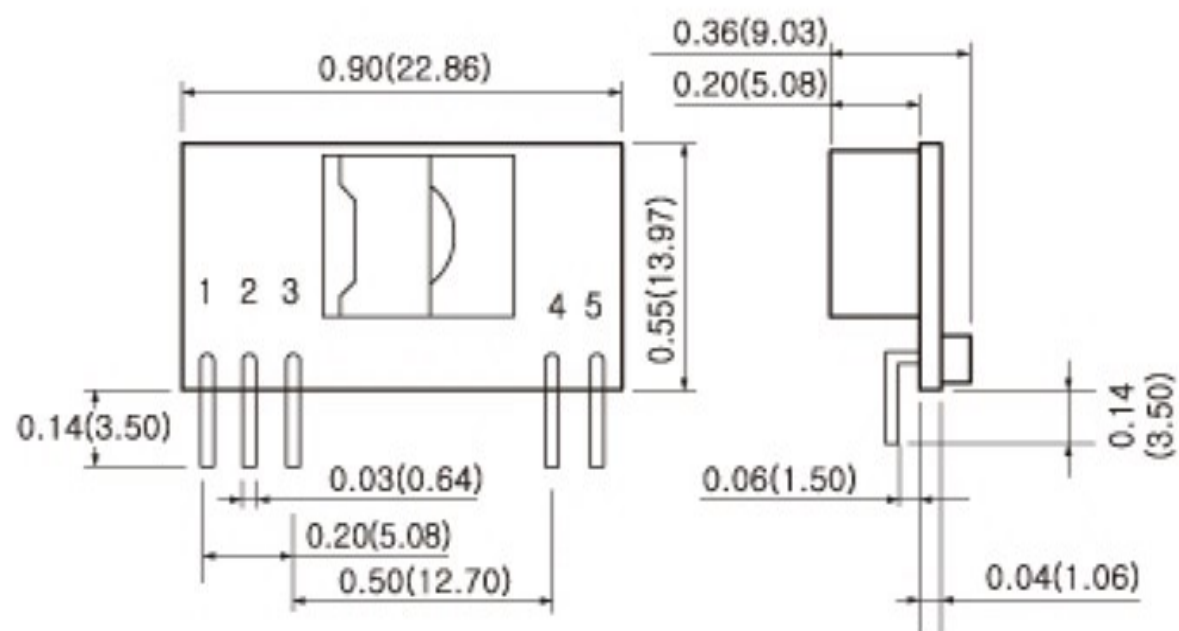


DIMENSIONS

Single Output (SMT)

1. +Vout
2. TRM
3. COM
4. +Vin
5. CNT



[SIP TYPE]

