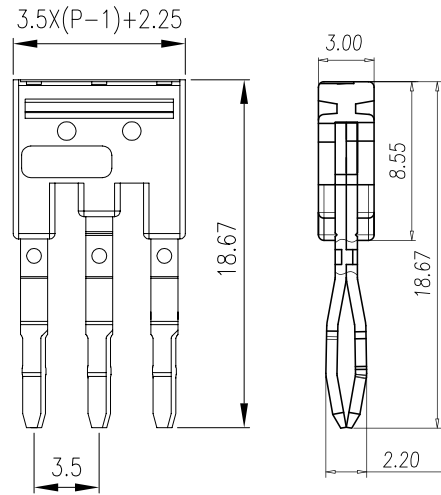


DSD03-1.5XX



DIN Rail Terminal Blocks > Accessories > Plug-in bridge



Specification

Product description	Plug-in bridge
Color	Red
Housing material	PA
PIN material	Copper Alloy
Housing material	Tin Plated
Inflammability class	UL94-V0
Position	02 / 03 / 04 / 05 / 10 P
Compatible products	DP1.5/DP1.5-TR/DP1.5-TN
Package	50 pcs/box