



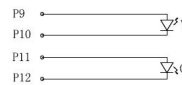
## SINGLE RJ45 CONNECTOR MODULE WITH 10/100 BASE-TX 1 PORT MAGNETICS AND LEDS

**P/N: J1B321ZDD**

### Feature

- RJ45 cavities conform to FCC rules and regulation part 68.
- The part is recommended for wave soldering process peak soldering temperature is 260 °C max, 10 SECS max.
- 350 μH minimum OCL with 8 mA bias current.
- Pin not electrically connected maybe omitted see electrical drawing for omitted pins.
- All materials are RoHS and UL94-V0 compliant.
- Recommended panel

Part Number	11,12 (Left Led)	9,10 (Right Led)
2	Green	Yellow



Electrical Specifications @ 25°C						
Part Number	Turns Ratio (±5%)		Insertion Loss (dB Max)	Return Loss 100ohms±5ohms (dB Typ)		
	TX	RX		1-30MHz	30-60MHz	60-80MHz
J1B321ZDD	1CT : 1CT	1CT : 1CT	-1.2	-16	-12	-10

Electrical Specifications @ 25°C			
Part Number	Crosstalk (dB Typ)	Common Mode Rejection (dB Typ)	HI-POT (Vrms)
	1-100MHz	1-100MHz	@60MHz/1Min
J1B321ZDD	-30	-30	1500

RJ45 Durability Testing Rating & Material Specification				
Part Number	Durability	Mating Force	Shield	
			Material	Finish
J1B321ZDD	750 Insertions	5 lbs./2.268 kgs.	Brass	10-20m inches Nickel

RJ45 Material Specification				
Part Number	Contact		Housing	
	Material	Plating Area	Material	Specification
J1B321ZDD	Cooper Alloy	10-20m inches Nickel over selective gold plating 6μ inches	Thermoplastic	UL 94 V-0

\* Operating temperature range: 0°C to +70°C. Storage temperature range: -40°C to +85°C.

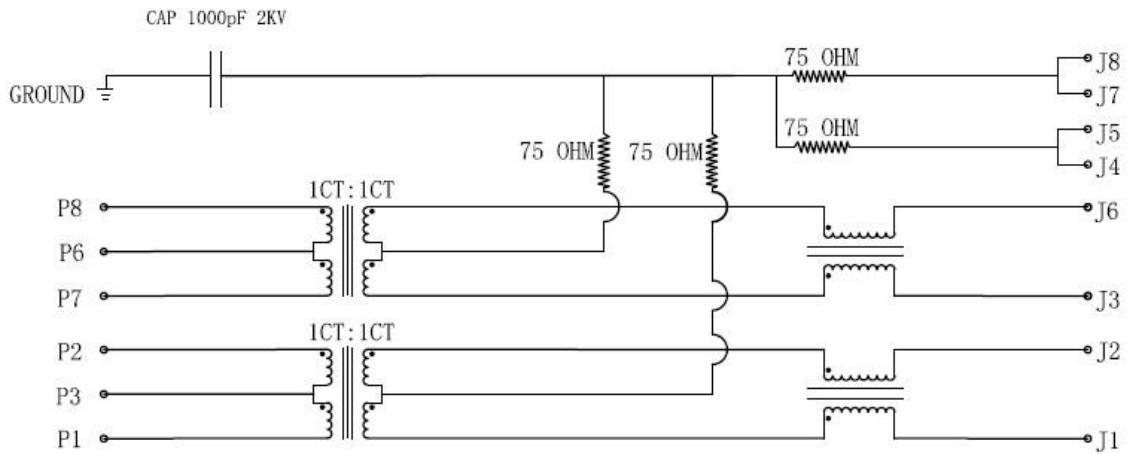
<b>Tel:+86-757-81811611</b>	<b>Fax:+86-757-81811621</b>
<b>E-mail:sales@ceetus.com.cn</b>	<b>Website:www.ceetus.com.cn</b>



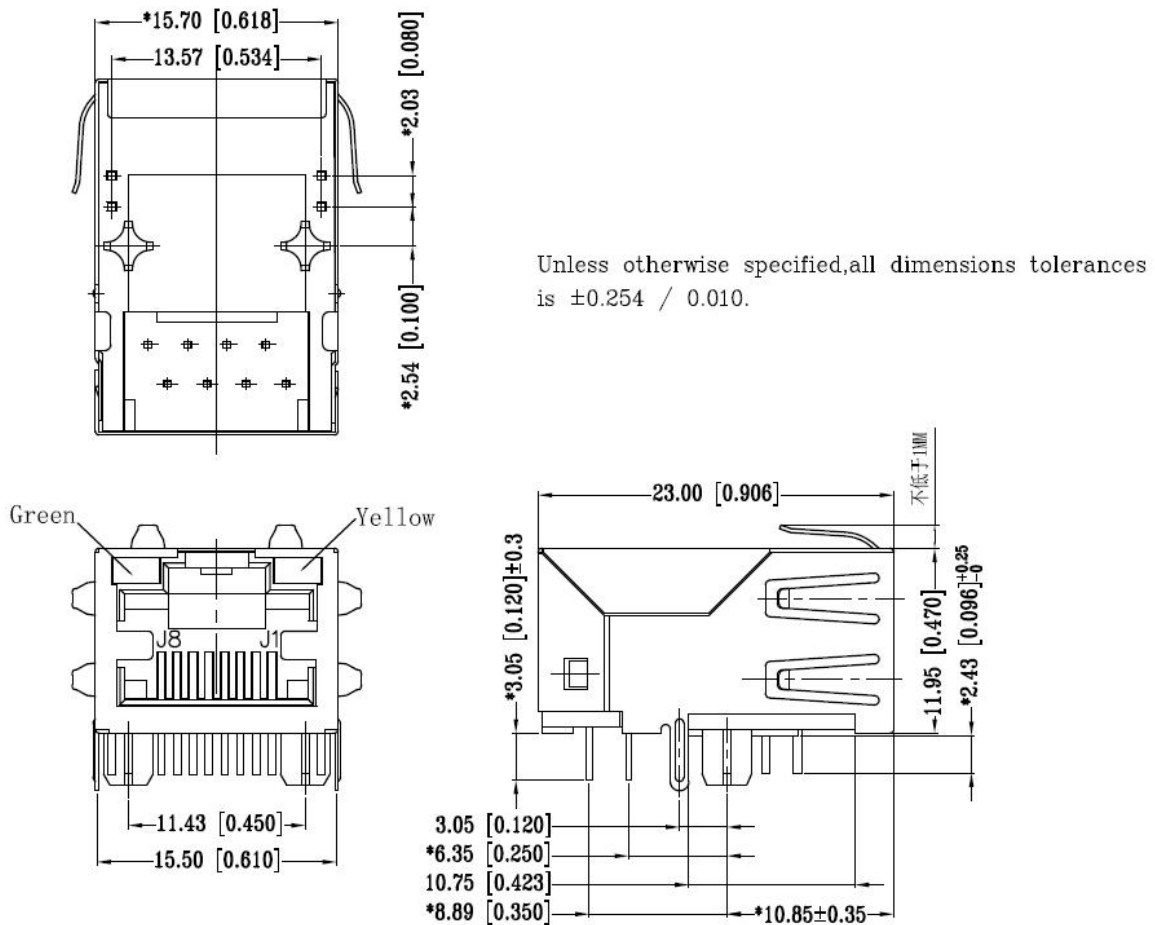
## SINGLE RJ45 CONNECTOR MODULE WITH 10/100 BASE-TX 1 PORT MAGNETICS AND LEDS

P/N: J1B321ZDD

### Schematic



### Mechanical



Units: mm.  
Tolerance:  $\pm 0.254$  unless specified.

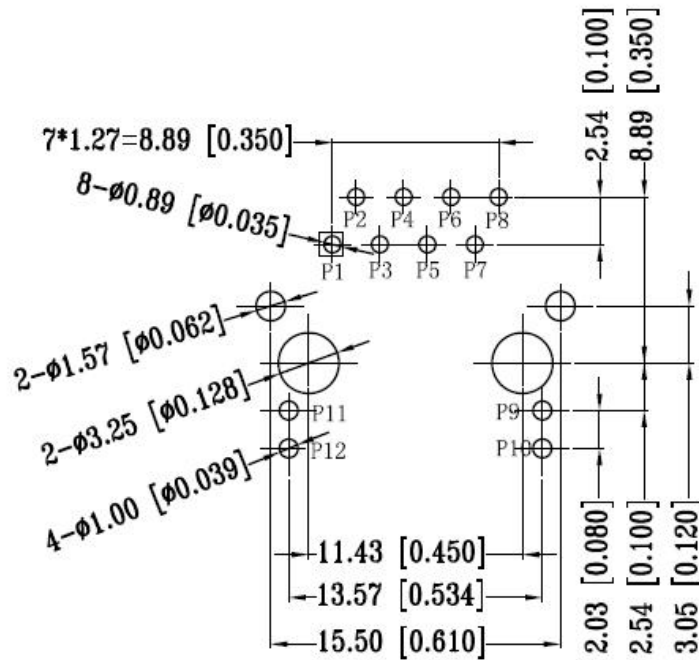
Tel:+86-757-81811611	Fax:+86-757-81811621
E-mail:sales@ceetus.com.cn	Website:www.ceetus.com.cn



## SINGLE RJ45 CONNECTOR MODULE WITH 10/100 BASE-TX 1 PORT MAGNETICS AND LEDS

P/N: J1B321ZDD

### PCB Layout Mounting Hole (Top View)



Units: mm.

Tolerance: ±0.1 unless specified

Tel:+86-757-81811611	Fax:+86-757-81811621
E-mail:sales@ceetus.com.cn	Website:www.ceetus.com.cn



## SINGLE RJ45 CONNECTOR MODULE WITH 10/100 BASE-TX 1 PORT MAGNETICS AND LEDS

**P/N: J1B321ZDD**

Page : 4/4

**Note**

---

Record of Revision		
Rev	Remark	Date
V0	Datasheet Set UP	2013/05/10
V1	Change Registration Mast,from cylindrical to quincunx	2013/05/30
V2	Change module,from 5 core to 4 core,and change LED card slot	2019/07/12

<b>Tel:+86-757-81811611</b>	<b>Fax:+86-757-81811621</b>
<b>E-mail:sales@ceetus.com.cn</b>	<b>Website:www.ceetus.com.cn</b>