



SINGLE PORT RJ45 CONNECTOR MODULE WITH 10/100 BASE-TX MAGNETICS

P/N: J1B1011CF

Feature

- | Suitable for CAT 5 & 6 Fast Ethernet Cable or better UTP.
- | Meets or exceeds IEEE 802.3 standard for 100 Base-T.
- | 350 μ H minimum OCL with 8 mA bias current.
- | Minimum 1500 Vrms isolation per IEEE 802.3 requirement.
- | All materials are RoHS and UL94 V-0 compliant.
- | RoHS peak solder rating 260°C.
- | Meet EN60950-1 basic insulation requirement.

Electrical Specifications @ 25°C

Part Number	Turns Ratio ($\pm 5\%$)		Insertion Loss (dB Max)	Return Loss 100ohm \pm 5ohm (dB Typ)			
	TX	RX		1-100MHz	1-10MHz	10-30MHz	30-60MHz
J1B1011CF	1CT : 1CT	1CT : 1CT	-1.15	-20	-16	-12	-10

Electrical Specifications @ 25°C

Part Number	Crosstalk (dB Typ)			Common Mode Rejection (dB Typ)		HI-POT (Vrms) @60MHz/1Min
	1-30MHz	30-60MHz	60-100MHz	1-50MHz	50-150MHz	
J1B1011CF	-40	-35	-30	-30	-20	1500

RJ45 Durability Testing Rating & Material Specification

Part Number	Durability	Mating Force	Shield	
			Material	Finish
J1B1011CF	750 Insertions	5 lbs./2.268 kgs.	Brass	10-20 μ inches Nickel over

RJ45 Material Specification

Part Number	Contact		Housing	
	Material	Plating Area	Material	Specification
J1B1011CF	Phosphor Brass	10-20 μ inches Nickel over selective gold plating 6 μ inches	Thermoplastic	UL 94 V-0

* Operating temperature range: -40 to +85 . Storage temperature range: -40 to +85 .

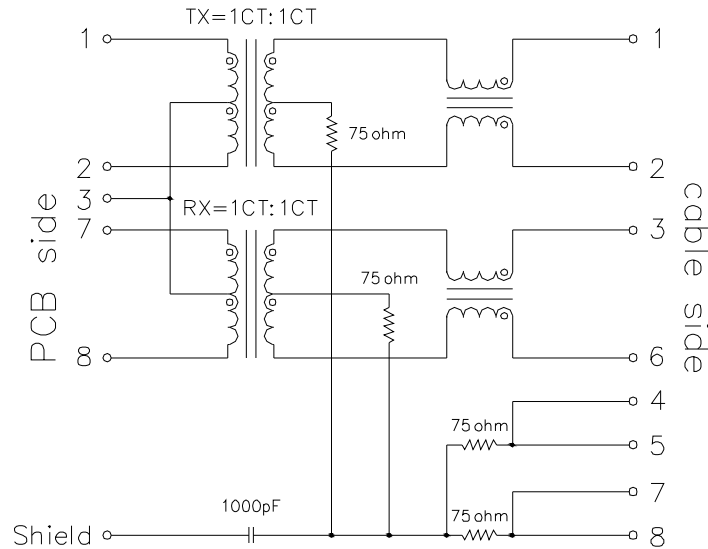
Tel:+86-757-81811611	Fax:+86-757-81811621
E-mail:sales@ceetus.com.cn	Website:www.ceetus.com.cn



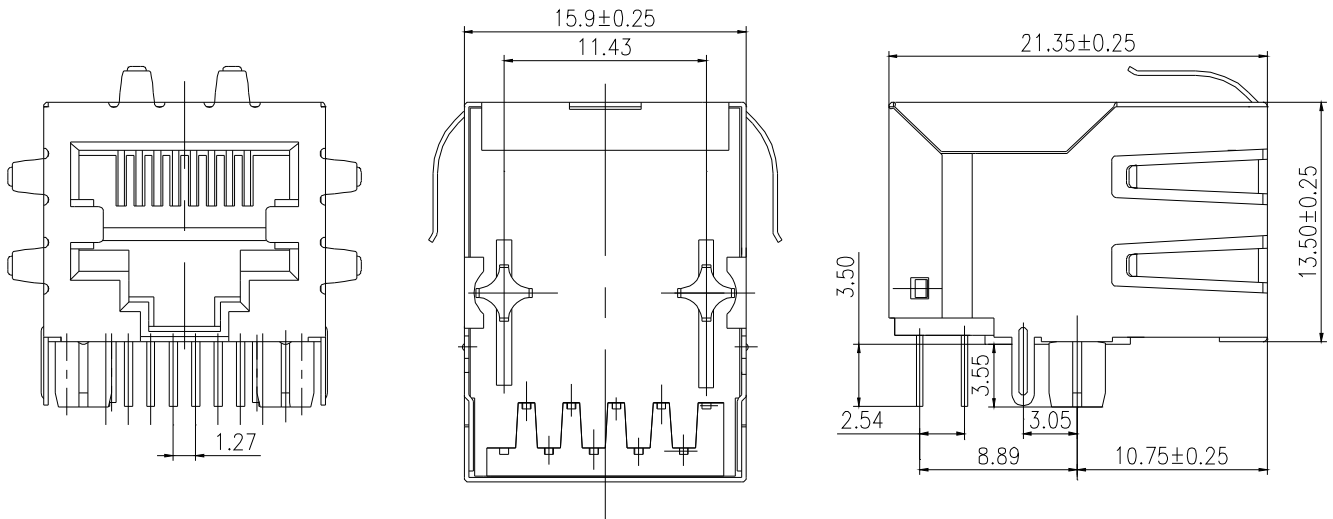
SINGLE PORT RJ45 CONNECTOR MODULE WITH 10/100 BASE-TX MAGNETICS

P/N: J1B1011CF

Schematic



Mechanical



Units: mm.

Tolerance: ±0.25 unless specified.

Tel:+86-757-81811611

Fax:+86-757-81811621

E-mail:sales@ceetus.com.cn

Website:www.ceetus.com.cn

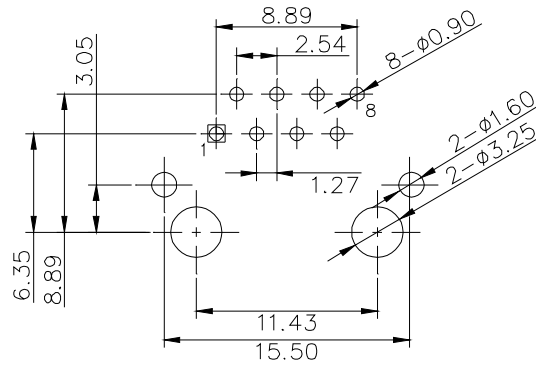


SINGLE PORT RJ45 CONNECTOR MODULE WITH 10/100 BASE-TX MAGNETICS

P/N: J1B1011CF

Page : 3/3

PCB Layout Mounting Hole (Top View)



Units: mm.

Tolerance: ± 0.25 unless specified.

Tel:+86-757-81811611	Fax:+86-757-81811621
E-mail:sales@ceetus.com.cn	Website:www.ceetus.com.cn