

MSR7810W Series

Low Cost, Non-isolated Wide Input, Single Output POL Switching Regulators



Key Features:

- Efficiency to 96%
- 1.0A Output Current
- EN 60950 Approved
- Short Circuit Protected
- Right Angle Pins Available
- LM78xx Replacement
- Wide Input Range
- Negative Output Capability
- -40°C to +85°C Operation
- Low Noise



MicroPower Direct

292 Page Street
Suite D
Stoughton, MA 02072
USA

T: (781) 344-8226

F: (781) 344-8481

E: sales@micropowerdirect.com

W: www.micropowerdirect.com



Electrical Specifications

Specifications typical @ +25°C, nominal input voltage & rated output current, unless otherwise noted. Specifications subject to change without notice.

Input						
Parameter	Conditions	Min.	Typ.	Max.	Units	
No-Load Input Current	Positive Output		0.1	1.0	mA	
Input Filter	Capacitor Filter					
Reverse Polarity Input	Not Allowed, Could Damage the Unit					
Output						
Parameter	Conditions	Min.	Typ.	Max.	Units	
Output Voltage Accuracy	3.3 V _{OUT} Model		±2.0	±4.0	%	
	All Other Models		±2.0	±3.0		
Line Regulation	Full Load, V _{IN} = Min to Max		±0.2	±0.4	%	
Load Regulation	Nom Input, I _{OUT} = 10% to 100%		±0.4	±0.6	%	
Ripple & Noise (20 MHz)	See Note 2		20	75	mV P - P	
Temperature Coefficient				0.03	%/°C	
Transient Recovery Time, See Note 3	25% Load Step Change		0.1	1.0	mS	
Transient Response Deviation			50	300	mV	
Output Short Circuit	Continuous (Autorecovery)					
General						
Parameter	Conditions	Min.	Typ.	Max.	Units	
Isolation Voltage	Not Isolated					
Switching Frequency	MSR7810-033W/MSR7810-05W	420	520	620	kHz	
	All Other Models	580	680	780		
EMI Characteristics						
Parameter	Standard	Criteria	Level			
Radiated Emissions, See Note 4	EN 55022		B			
Conducted Emissions, See Note 4	EN 55022		B			
ESD	EN 61000-4-2	B	±4 kV Contact			
RS	EN 61000-4-3	A	10V/m			
EFT, See Note 5	EN 61000-4-4	B	±1 kV			
Surge, See Note 5	EN 61000-4-5	B	±1 kV			
CS	EN61000-4-6	A	3V rms			
Environmental						
Parameter	Conditions	Min.	Typ.	Max.	Units	
Operating Temperature Range	Ambient	-40	+25	+85	°C	
Storage Temperature Range		-55		+125	°C	
Cooling	Free Air Convection					
Humidity	RH, Non-condensing			95	%	
Physical						
Case Size	See Mechanical Diagram (Page 4)					
Case Material	Non-Conductive Black Plastic (UL-94V0)					
Weight	0.133 Oz (3.8g)					
Reliability Specifications						
Parameter	Conditions	Min.	Typ.	Max.	Units	
MTBF	MIL HDBK 217F, 25°C, Gnd Benign	2.0			MHours	
Lead Temperature	1.5 mm From Case For 10 Sec			260	°C	
Safety Approvals	UL/cUL 60950-1 recognition (UL certificate)					

www.micropowerdirect.com

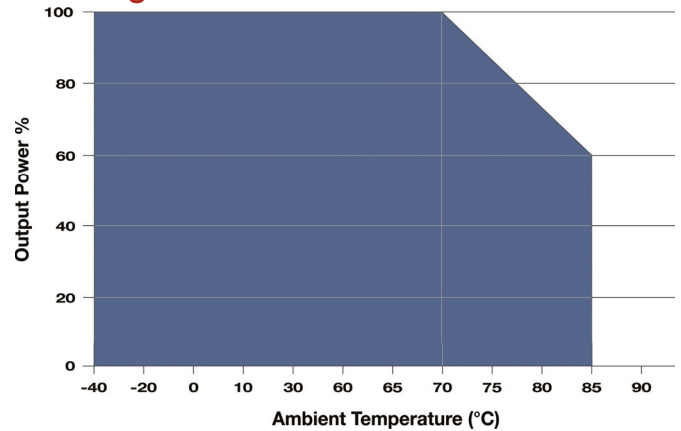
Model Number	Input Voltage (VDC)		Output		Efficiency (% Typ)		Capacitive Load (μF, Max)
	Nom.	Range	Voltage (VDC)	Current (mA, Max)	Min V _{IN}	Max V _{IN}	
MSR7810-033W(L)	24	6.00 - 36.0	3.3	1,000.0	90	81	680
MSR7810-05W(L)	24	8.00 - 36.0	5.0	1,000.0	93	86	680
	12	8.00 - 27.0	-5.0	-500.0	86	82	330
MSR7810-09W(L)	24	13.0 - 36.0	9.0	1,000.0	95	90	680
MSR7810-12W(L)	24	16.0 - 36.0	12.0	1,000.0	96	93	680
	12	8.00 - 20.0	-12.0	-300.0	89	88	330
MSR7810-15W(L)	24	20.0 - 36.0	15.0	1,000.0	96	94	680
	12	8.00 - 18.0	-15.0	-300.0	89	89	330

For "Right Angle" pins add the L to the part number: **MSR7810-05WL**

Notes:

- For many applications, no external components are required. If the input is over 30V, a 22 μF/50V input capacitor (C₁) is required. See the typical application note below.
- Output ripple is measured with a nominal input and is specified for a load range of 20% to 100%. When measuring output ripple, two external capacitors (1 μF and 10 μF) must be placed from the V_{out} to the Gnd pins.
- Transient recovery is measured to within a 1% error band for a load step change of 75% to 100%.
- The unit may not meet emissions to class B without the addition of external components as shown in the typical circuit 4 diagram on page 4.
- The unit meets EFT & surge EMS specifications with the addition of external components as shown in the typical circuit 4 diagram on page 4.
- Soldering temperature is measured 1.5 mm from the pins. Soldering time should not exceed 10S.
- This regulator is not designed to be used in parallel with another unit to increase output power.
- A reverse polarity connection on the input could damage the unit.
- The input should not exceed the range given in the model selection chart. Exceeding this limit could damage the unit.
- It is recommended that an external fuse be used. The fuse should be selected based upon the actual input current of the application. For more information please call the factory.

Derating Curve



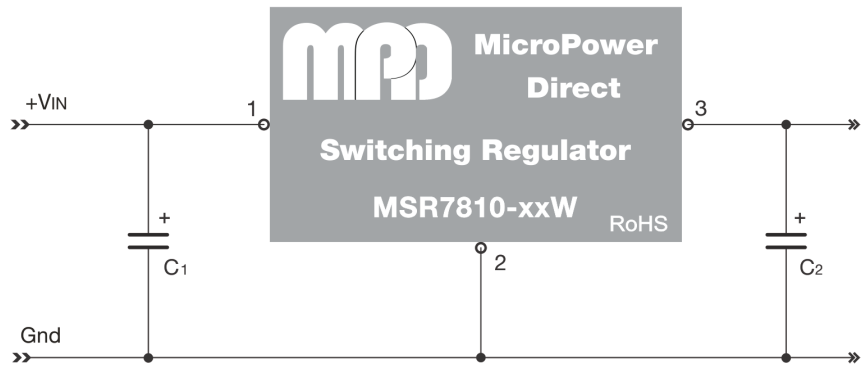
For many applications, the **MSR7810-xxW** can be used without external components. However, if the application requires meeting EMC/EMI standards or operation at inputs over 30V, a minimum of external components is needed.

A typical connection (for a positive output voltage) is shown at right. Here, C₁ has been added to improve stability over the input range (and over the operating temperature range). Capacitor C₂ is added to reduce the output ripple.

Suggested values for these capacitors are given in the "Component Values" table below. These capacitors are ceramic and should be placed as close to the unit as possible. Tantalum or low ESR electrolytic capacitors may also be used.

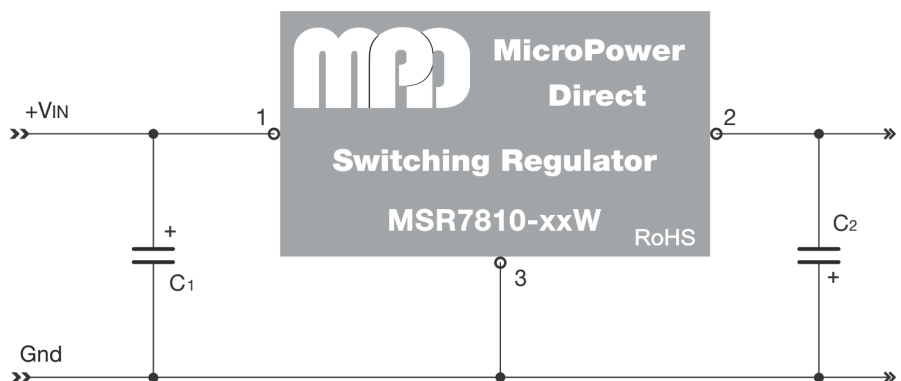
If very low noise is required, an LC filter may be added to the output. For suggested component values contact the factory. To meet EMI standards, see the typical circuit 4 diagram on page 4.

Typical Application Circuit 1, Positive Output

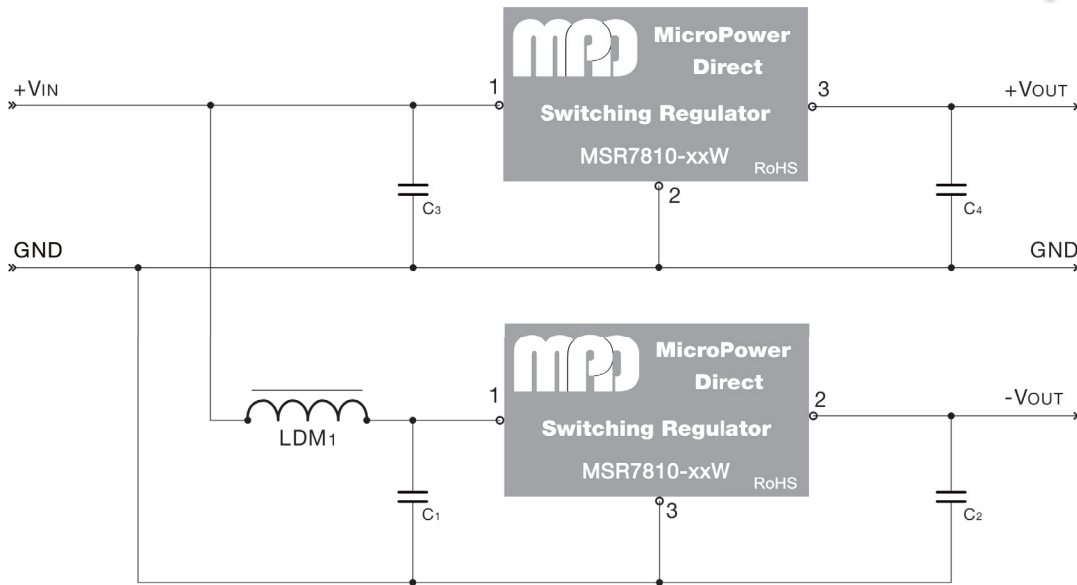


Model Number	C ₁	C ₂
MSR7810-033W(L)	10 μF/50V	22 μF/10V
MSR7810-05W(L)	10 μF/50V	22 μF/10V
MSR7810-09W(L)	10 μF/50V	22 μF/16V
MSR7810-12W(L)	10 μF/50V	22 μF/25V
MSR7810-15W(L)	10 μF/50V	22 μF/25V

Typical Application Circuit 2, Negative Output



To produce a negative output, connect the output to pin 2 and ground to pin 3, as shown in the diagram above.



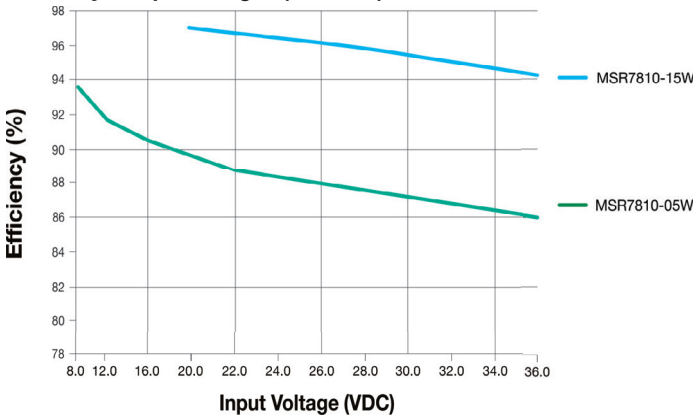
Typical application circuit 3 shows two units configured with a common input connection to produce positive and negative outputs. The inductor LDM1 is added to reduce interference between the units. The recommended values for all the external components are given in the table at right.

Model Number	C1/C3	C2/C4	LDM1
MSR7810-033W(L)	10 μ F/50V	22 μ F/10V	10 μ H
MSR7810-05W(L)	10 μ F/50V	22 μ F/10V	10 μ H
MSR7810-09W(L)	10 μ F/50V	22 μ F/16V	10 μ H
MSR7810-12W(L)	10 μ F/50V	22 μ F/25V	10 μ H
MSR7810-15W(L)	10 μ F/50V	22 μ F/25V	10 μ H

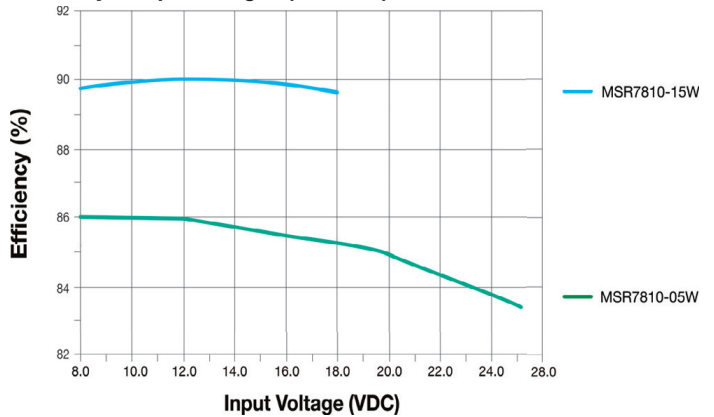
Characteristic Curves, Positive Output

Characteristic Curves, Negative Output

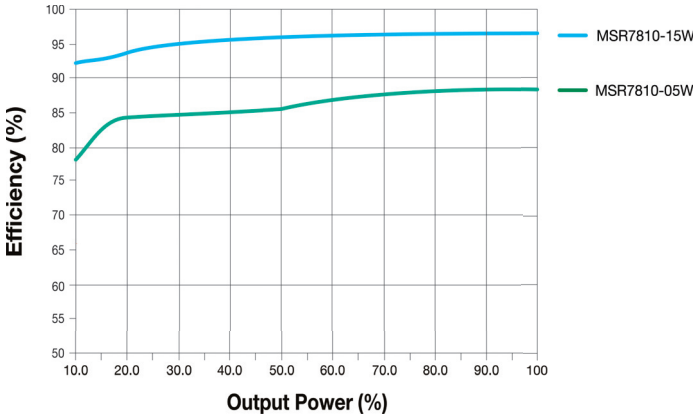
Efficiency vs Input Voltage - (Full Load)



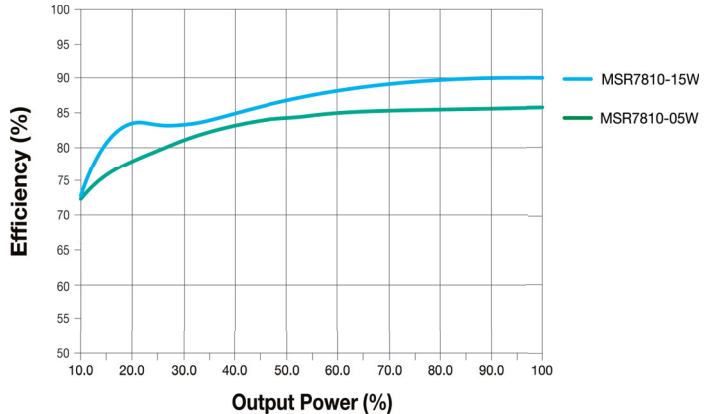
Efficiency vs Input Voltage - (Full Load)

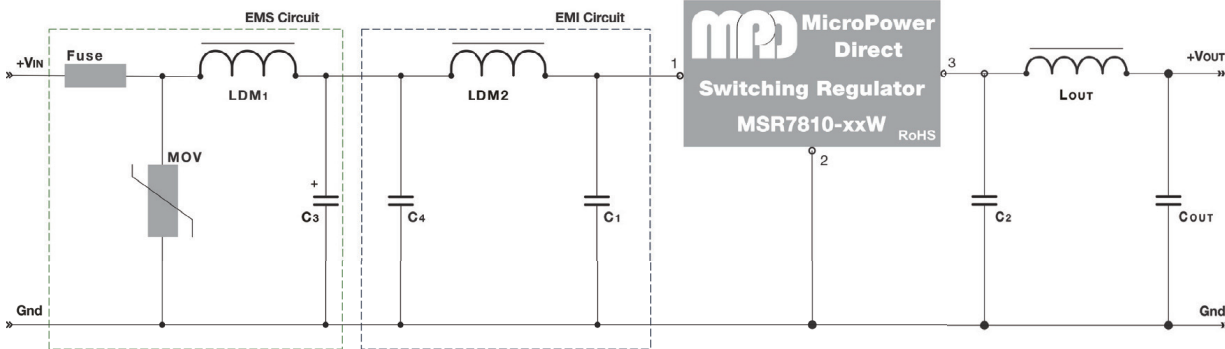


Efficiency vs Output Power - (VIN = Nominal)



Efficiency vs Output Power - (VIN = Nominal)





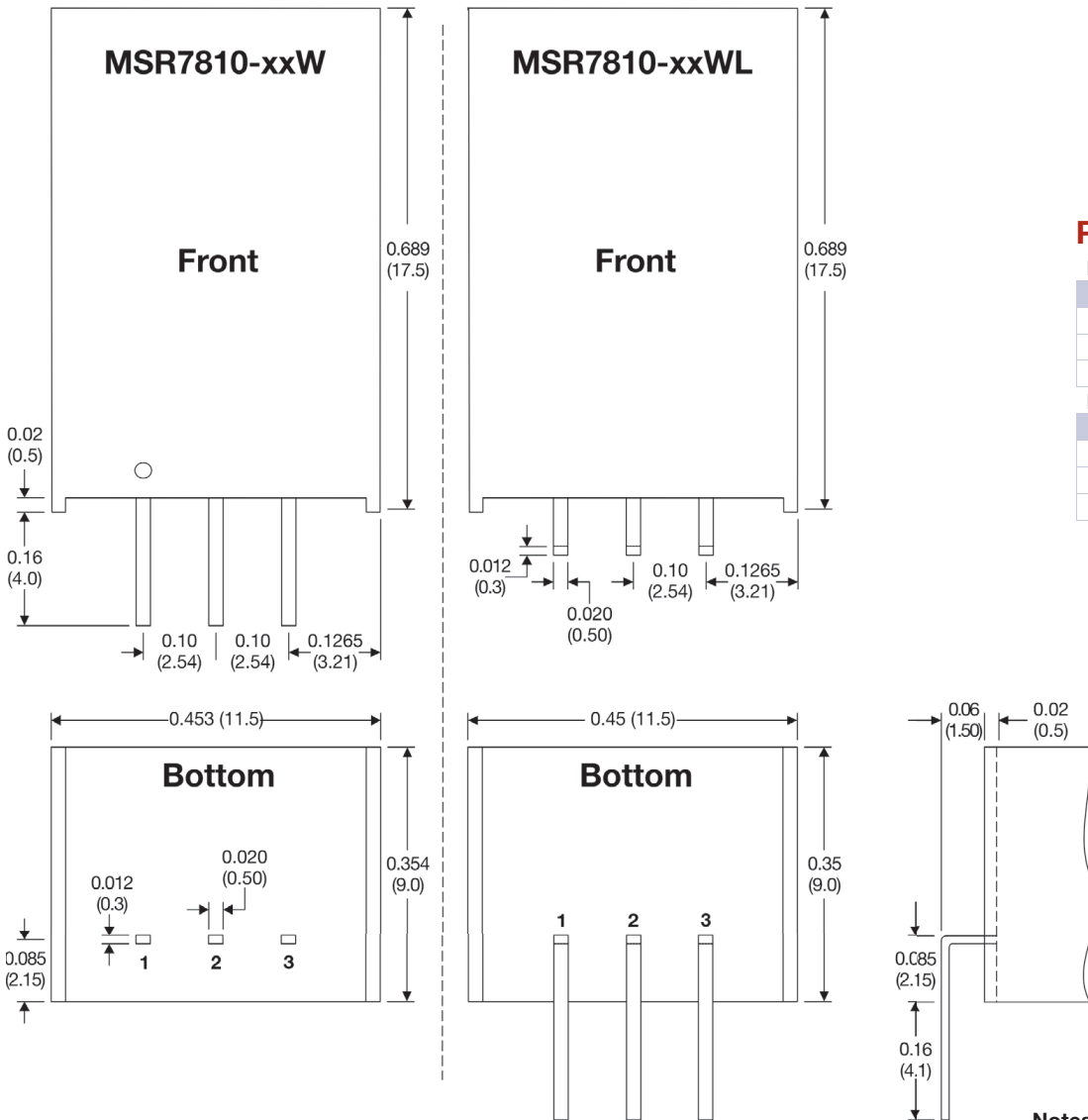
The diagram above illustrates a typical connection of the MSR7810W(L) series for applications that require meeting EMC standards. Some notes on this diagram (starting with the input circuit) are:

1. It is recommended that an external fuse be used. The fuse should be selected based upon the actual input current of the application. Contact the factory for more information.
2. An external MOV is recommended on the input to protect the unit in the event of a surge. A recommended value is given in the table at right.
3. The values for C1 and C2 are given in the "Component Values" table on page 2.
4. The LC filter LOUT & COUT is only needed if very low ripple is required. Recommended values for these components are given in the table at right.

5. Recommended values for components are:

Component	Value	Component	Value
MOV	S20K30	LDM2	12 μ H
LDM1	82 μ H	C1/ C2	See Note 4
C3	680 μ F/50V	LOUT	10 - 47 μ H
C4	4.7 μ F/50V	COUT	22 μ F

Mechanical Dimensions



Pin Connection

Positive Output

Pin	Function
1	+VIN
2	GND
3	VOUT

Negative Output

Pin	Function
1	+VIN
2	VOUT
3	GND

Notes:

- All dimensions are typical in inches (mm)
- Tolerance x.xx = ± 0.01 (± 0.25)
- Pin 1 is marked by a "dot" or indentation on the front of the unit