

Plastic Terminal Block Box S Series

플라스틱 단자박스 S 시리즈(경제형 제품) 塑料端子盒 S 系列

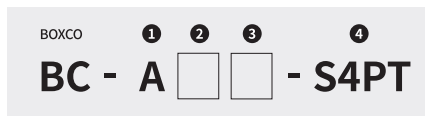
4P ~ 50P

SPECIFICATION | 사양 | 产品规格说明

- Rated Insulation Voltage / 정격절연전압 / 额定绝缘电压 | 400V
- Rated Current Capacity / 정격전류용량 / 正常电流容量 | 1.0mm²
- Temperature Range / 온도영역 / 温度范围 | ABS : - 40 ~ + 70, PC : - 40 ~ + 110
- Flammability Rating / 난연성 / 阻燃等级 | ABS : 94-V-0, HB, PC : 94-HB

TERMINAL BLOCK BOX model name

단자박스 모델선정방법 | 端子盒 产品型号命名方法

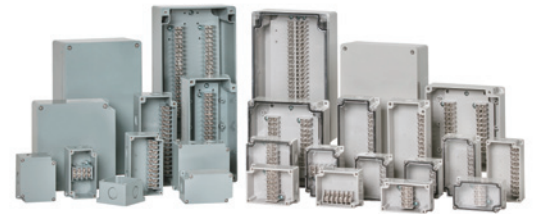


- 1 Material / 재료 / 材质 - A : ABS
- 2 Cover / 커버색상 / 箱盖颜色 - G : Grey / 회색 / 灰色 B : Grayish blue / 청회색 / 青灰色 T : Transparent / 투명 / 透明
- 3 Base / 베이스색상 / 盒底颜色 - G : Grey / 회색 / 灰色 B : Grayish blue / 청회색 / 青灰色
- 4 Number of poles / 극 수 / 端子位数

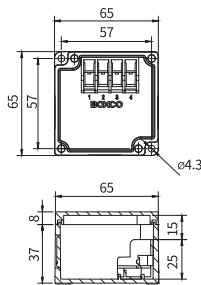
Stair type | 계단형 | 阶梯形

65x65x45 ~ 160x260x90mm

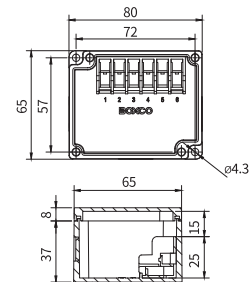
Model 모델 / 型号	Model size / 모델사이즈 / 型号尺寸	
	Size (W1xL1xH1/mm)	Size (W1xL1xH1/inch)
BC- A□□- S4PT	65 x 65 x 45 x 21(Knock out)	2.56 x 2.56 x 1.77 x 0.83(Knock out)
BC- A□□- S6PT	65 x 80 x 45 x 21(Knock out)	2.56 x 3.15 x 1.77 x 0.83(Knock out)
BC- A□□- S10PT	65 x 110 x 45 x 21(Knock out)	2.56 x 4.33 x 1.77 x 0.83(Knock out)
BC- A□□- S15PT	75 x 171 x 55 x 21(Knock out)	2.95 x 6.73 x 2.17 x 0.83(Knock out)
BC- A□□- S20PT	80 x 230 x 55	3.15 x 9.06 x 2.17
BC- A□□- S30PT	125 x 190 x 65	4.92 x 7.48 x 2.56
BC- A□□- S40PT	160 x 260 x 90	6.30 x 10.24 x 3.54
BC- A□□- S50PT	160 x 260 x 90	6.30 x 10.24 x 3.54
NEW BC- A□□- S25PT-102708	100 x 270 x 80	3.94 x 10.63 x 3.15
NEW BC- A□□- S30PT-113108	110 x 310 x 80	4.33 x 12.21 x 3.15



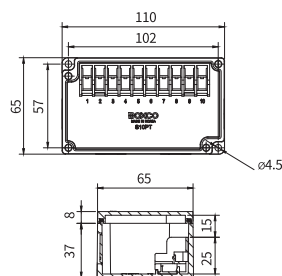
S4PT



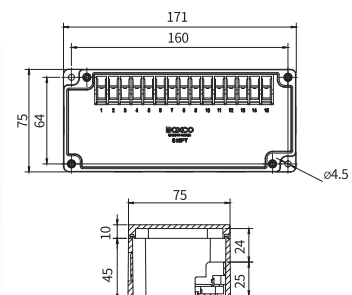
S6PT



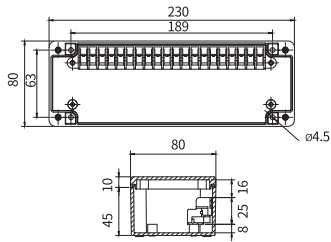
S10PT



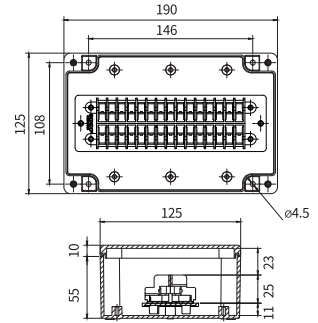
S15PT



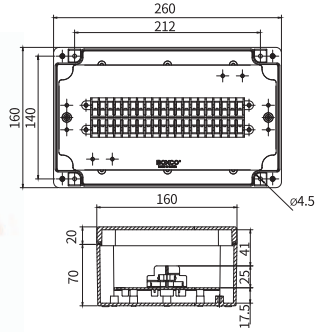
S20PT



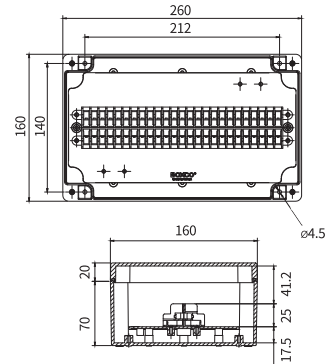
S30PT



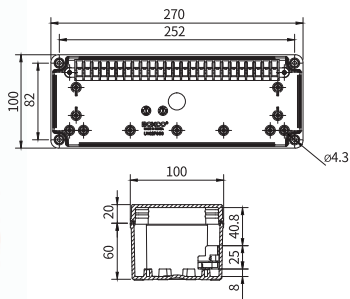
S40PT



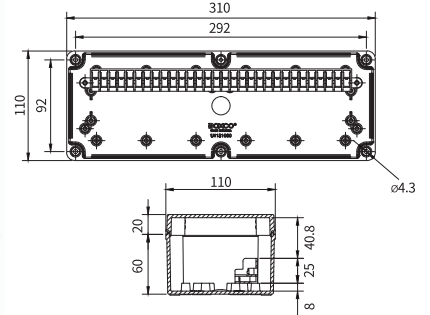
S50PT



S25PT- 102708



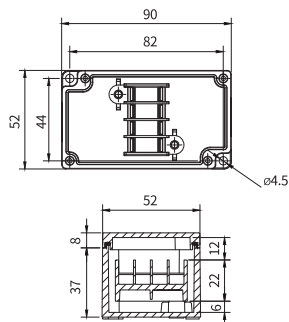
S30PT- 113108



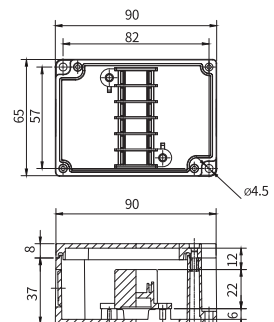
Flat type | 일자형 | 一字形
52x90x45 ~ 160x260x90mm

Model 모델 / 型号	Model size / 모델사이즈 / 型号尺寸	
	Size (W1xL1xH1/mm)	Size (W1xL1xH1/inch)
BC- A□□- S4P	52 x 90 x 45 x 21(Knock out)	2.05 x 3.54 x 1.77 x 0.83(Knock out)
BC- A□□- S6P	65 x 90 x 45 x 21(Knock out)	2.56 x 3.54 x 1.77 x 0.83(Knock out)
BC- A□□- S10P	90 x 100 x 45 x 21(Knock out)	3.54 x 3.94 x 1.77 x 0.83(Knock out)
BC- A□□- S15P	100 x 200 x 65	3.94 x 7.87 x 2.56
BC- A□□- S20P	150 x 160 x 65	5.91 x 6.30 x 2.56
BC- A□□- S30P	160 x 260 x 90	6.30 x 10.24 x 3.54
BC- A□□- S40P	160 x 260 x 90	6.30 x 10.24 x 3.54
NEW BC- A□□- S25P-102708	100 x 270 x 80	3.94 x 10.63 x 3.15
NEW BC- A□□- S30P-113108	110 x 310 x 80	4.33 x 12.21 x 3.15

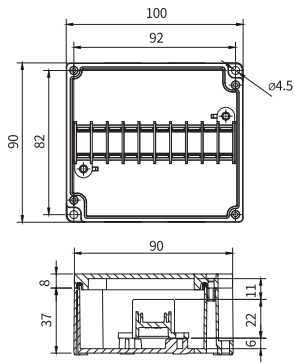
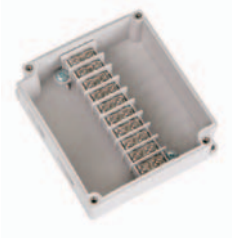
S4P



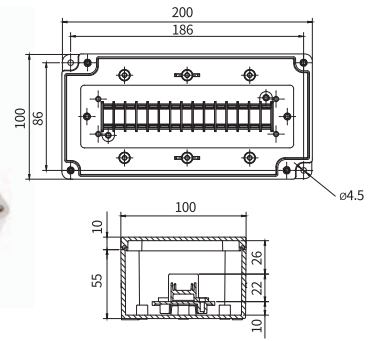
S6P



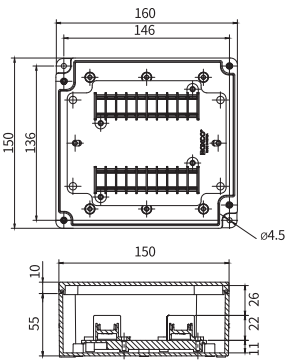
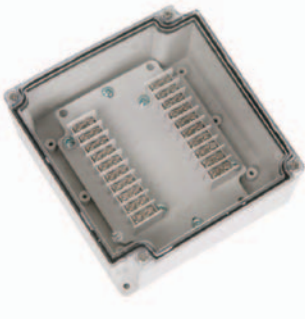
S10P



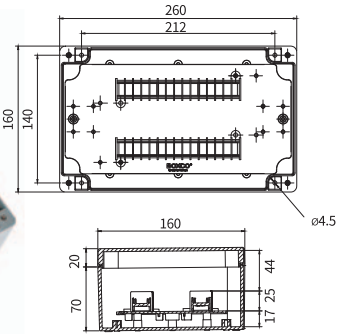
S15P



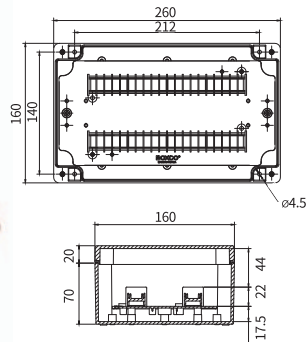
S20P



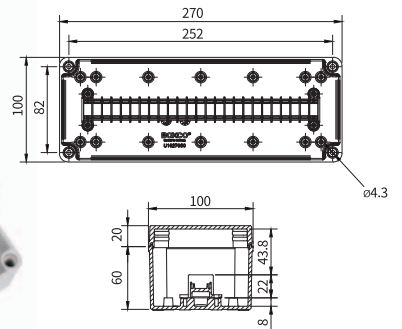
S30P



S40P



S25P- 102708



S30P- 113108

