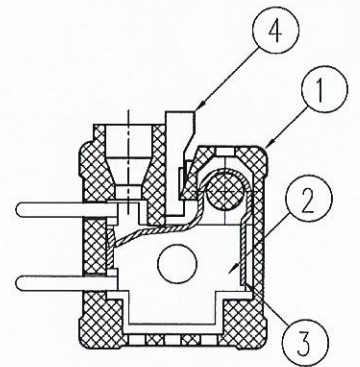
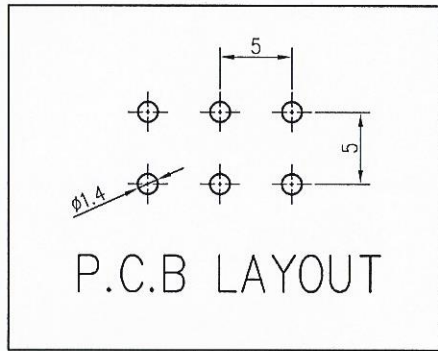
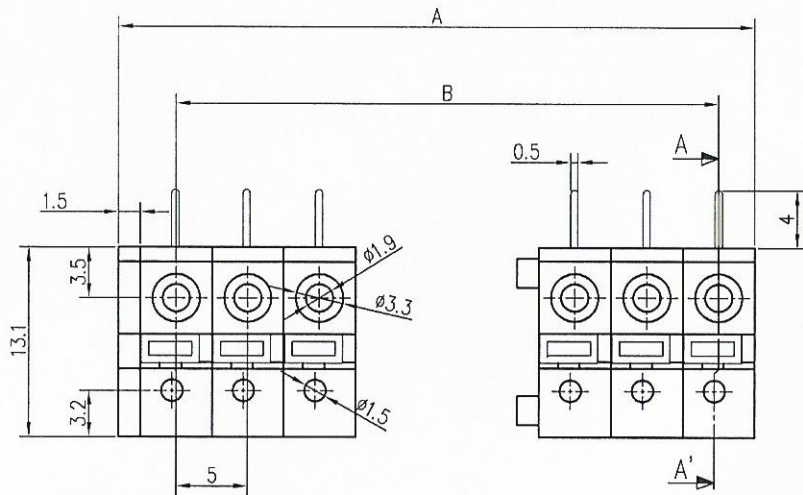


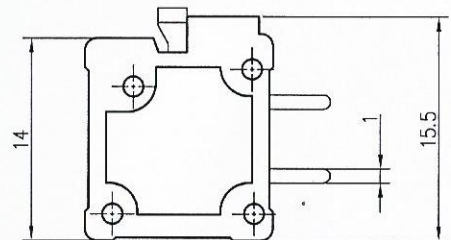
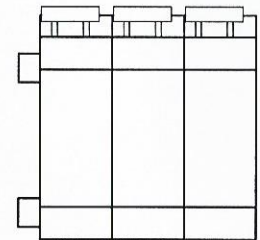
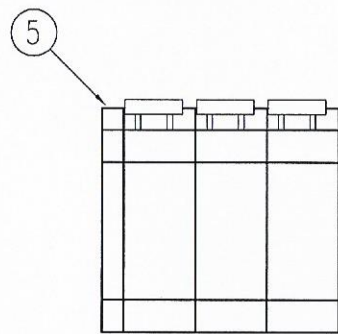
P	1	2	3	4	5	6	7	8	9	10	∞
A±0.8	-	11.5	16.5	21.5	26.5	31.5	36.5	41.5	46.5	51.5	PX5+1.5
B±0.8	-	5	10	15	20	25	30	35	40	45	(P-1)X5

No.	DATE	REVISIONS	APPROVED
⚠	14.05.10	힘방지를 위해 기존 PA66에서 PA66+GF33으로 재질변경	김민기
⚠			

COMMERCIAL TOLERANCE		
0.5 to 3	± 0.12	
over 3 to 6	± 0.16	
over 6 to 10	± 0.18	
over 10 to 18	± 0.22	
over 18 to 30	± 0.25	
over 30 to 50	± 0.30	
over 50 to 80	± 0.35	
over 80 to 120	± 0.45	



SECTION A-A'



**원본도**

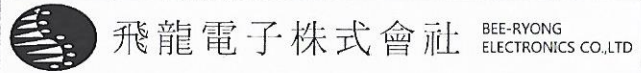
**SPECIFICATION**

- 1.정격 : 250V 10A
- 2.절연 저항 : DC 500V 1000MΩ 이상
- 3.내전압 : AC2000V/min
- 4.사용온도범위: -40°C ~ 105°C

\* 본 제품은 유해물질 관리 기준치를 초과하지 않는 제품임. (RoHS Compliance)

DRAWN	CHECKED	APPROVED	DATE	2015.04.20
S.M JUNG	박정호	김민기		
15.04.20	15.4.17	15.4.17		

TITLE **BR - 500SL**



DWG NO. **BRT - 249**

⑤	SCOV-500S	SIDE COVER	PA66	1	UL94V-0	-
④	DOT-500S	PUSH BUTTON	PA66+GF33	P	DSC201GH6	BK
③	SPR-500S	PLATE SPRING	SUS	P	SUS304 t0.35	-
②	DAN-500SL	TERMINAL	BRASS	P	C2680R 1/2H t0.5	Sn
①	SAC-500S	FRAME	PA66	P	UL94V-0	-
No.	PART No.	PART NAME	MATERIAL	Q'TY	REMARKS	FINISH