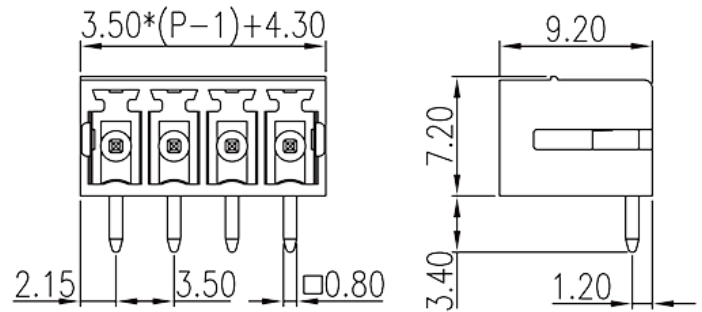
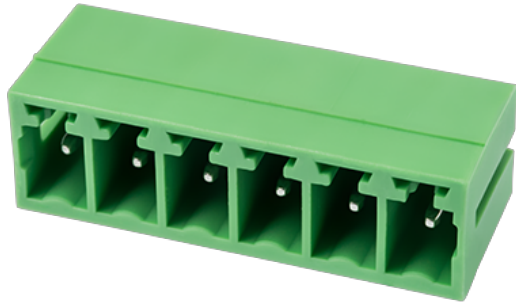


ECH350R-XXP

PCB > PCB -

:2023-10-24 :V1



Pitch : 3.50 mm, 300V, 8A

| | |
|------------|--|
| | PCB Connector – Socket, Wave soldering |
| | PCB Connector – Socket |
| (mm) | 3.50 |
| | Green (default) |
| | Without |
| | Wave soldering |
| (mm) | $3.50 \times (P-1) + 4.3$ |
| (mm) | 9.2 |
| (mm) | 7.2 |
| (x) (mm) | 0.8x0.8 |
| PCB (mm) | 1.2~1.3 |
| () | 02P~24P |
| | Single level |
| | PA |
| | I |
| UL 94 | V0 |



| | |
|--|-----------------|
| | 500M at DC 500V |
| | COPPER ALLOY |
| | Tin PLATED |

-IEC

| | |
|-------------|-----|
| (V) | 320 |
| (A) | 14 |
| (II/2)(V) | 320 |
| (III/2)(V) | 160 |
| (III/3)(V) | 160 |
| (II/2)(KV) | 2.5 |
| (III/2)(KV) | 2.5 |
| (III/3)(KV) | 2.5 |

-UL

| | |
|---------------------|-----|
| (UL/CUL Group B)(V) | 300 |
| (UL/CUL Group B)(A) | 8 |
| (UL/CUL Group D)(V) | 300 |
| (UL/CUL Group D)(A) | 8 |

&

| | |
|---------------|-----|
| 가 (YES or NO) | YES |
| | 120 |
| | -40 |

UL

| | |
|--------------|-----|
| (Group B)(V) | 300 |
| (Group B)(A) | 8 |
| (Group D)(V) | 300 |
| (Group D)(A) | 8 |

CUL

| | |
|--------------|-----|
| (Group B)(V) | 300 |
| (Group B)(A) | 8 |
| (Group D)(V) | 300 |

(Group D)(A)

8

VDE

(V)

320

(A)

14

