



### Features

- True RMS current measurement device
- Clamp on split core structure
- Output of standard 4 to 20mA DC
- Accuracy  $\pm 2\%$  of  $I_{PN}$  @ 25°C (excluding offset)
- Maximum load resistance 300Ω at Power Supply 24V
- 24 Vdc Loop Power 20...30Vdc
- Frequency bandwidth: 50~400Hz (Max. 6kHz)
- Isolation Resistance @ 1000VDC: > 1000 MΩ
- Operating Temperature: -20°C to 80°C
- Storage Temperature: -45°C to 85°C
- Max allowable current 120% continuous.

### Part Numbers and Ratings

- DCS16P Series

Symbol	Unit	5A	10A	20A	30A	50A	75A	100A
$I_{PN}$	$A_{RMS}$	5	10	20	30	50	75	100

- DCS24P Series

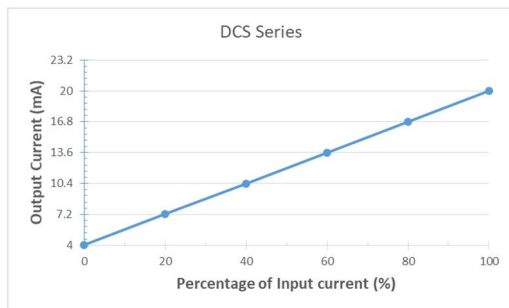
Symbol	Unit	5A	10A	20A	30A	50A	75A	100A	150A	200A	250A
$I_{PN}$	$A_{RMS}$	5	10	20	30	50	75	100	150	200	250

- DCS35P Series

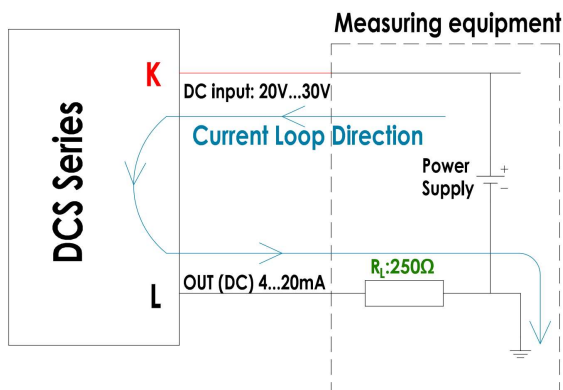
Symbol	Unit	80A	100A	200A	300A	400A	500A	600A
$I_{PN}$	$A_{RMS}$	80	100	200	300	400	500	600

•  $I_{PN}$  : Nominal Input Current

### Output Current Chart



### Connections

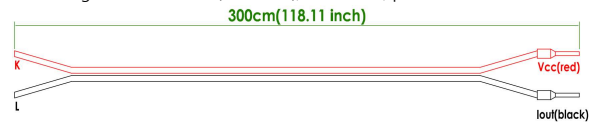


### Dimensions / pin identification

unit: mm

Series	Dimensions
DCS16P	
DCS24P	
DCS35P	

- Cable length: about 300cm (118.11 in.), 22AWGx2c, pen hole terminals



No.	Wire Color	Description
1	K (red)	Input DC
2	L (Black)	I out

### Ordering Guide

DCS□□P□□A-CL420

symbol	unit	description
□□P	aperture size	16P=Ø16, 24P=Ø24, 35P=Ø35
□□□□A	Ampere	※ See: Part Numbers and Ratings

### Additional information

Manufacturer: DIWELL Electronics Co., Ltd. (South Korea)

Technical support: <mailto:expoeb2@diwell.com>, <mailto:dsjeong@diwell.com>

### Revision history

Version	Date(Y,M,D)	Description
1.0.0	2023. 11. 6.	First version is released