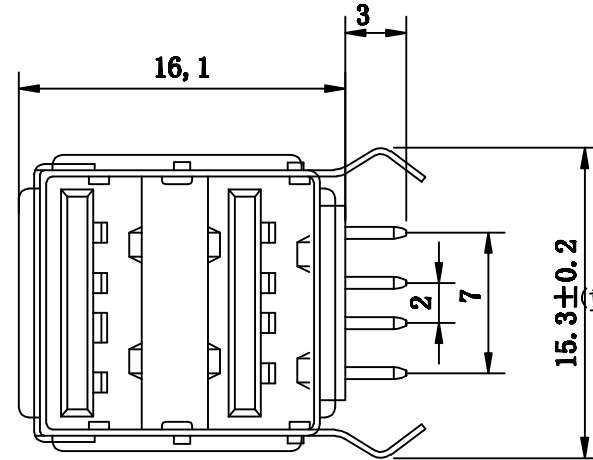
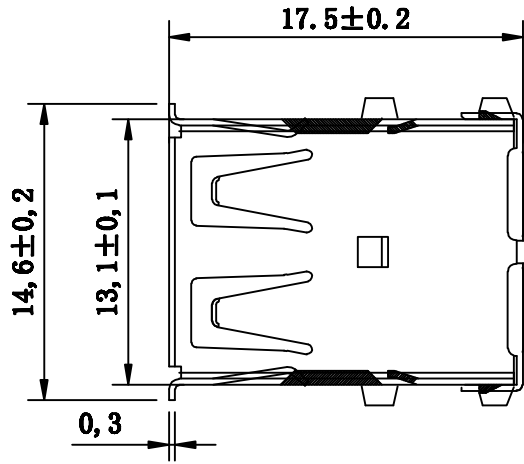


RoHS



规格说明 Specifications:

电气特性 Electrical:

1. 额定电流: Current Rating
1.5A/contact terminal
2. 额定电压: Voltage Rating
30V DC
3. 接触电阻: Contact Resistance
30 milliohms MAX
4. 耐电压: Dielectric Withstanding Voltage:
500 V AC AT Sea Level
5. 绝缘电阻: Insulation Resistance:
1000MEGA ohms MIN

物理性能 Mechanical:

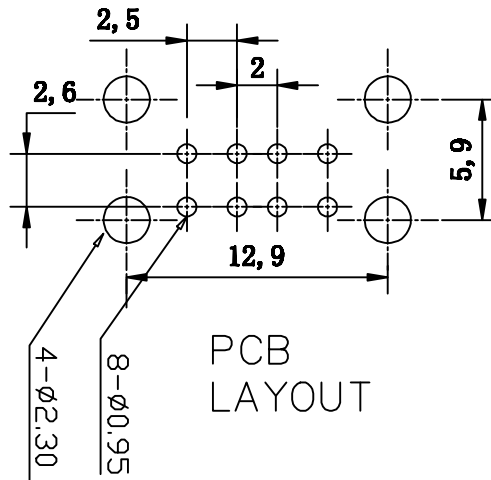
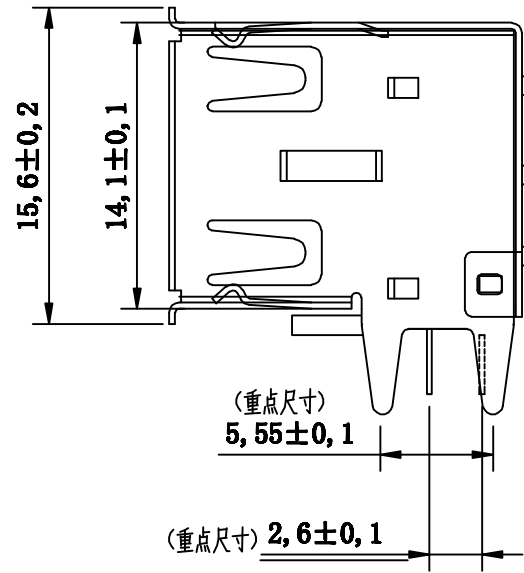
1. 插拔力: Connector Mate and Unmate Force
Mate force: 3.75kgf (MAX)
Unmate force: 1.0kgf (MIN)
2. 端子保持力: Terminal Retention
1.2kgf (MIN)

原材料 Material:

1. 塑胶 Housing:
Hing Temperature Thermoplastics,
PBT White
2. 端子: C2680
3. 外壳: SPCC

电镀 Finish:

1. 端子 Contact: Plated Gold in Mating Area;
Tin On Solder Talls
2. 外壳 Shell:
Nickel Plating



		图号 (DWG NO)	版本 (REV)	A/O	日期 (DATE)	设计 (DESIGN)	审核 (CHECKED)	核准 (APPROED)	单位 (UNIT) MM	比例 (SCALE)
品名 (ITEM NO)	A/F 90° 双层半包弯角				2013. 12. 18	谢昌艳			未注公差 X.X ±0.30 X.XX±0.20 X.XXX±0.10 X.XX ±5° X.XX ±15°	
料号 (PART NO)	YDWW-019-01W									
模号 (MODEL NO)	YDWW-019									