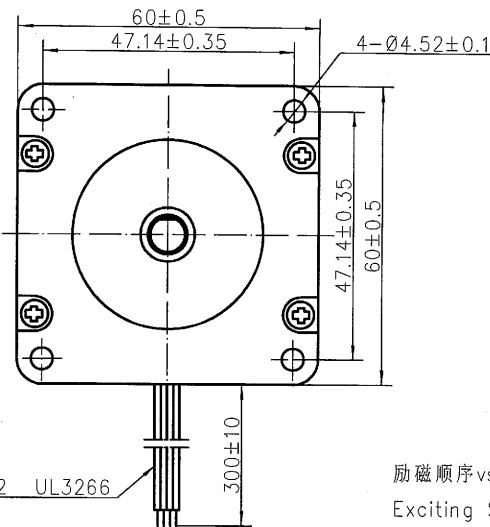
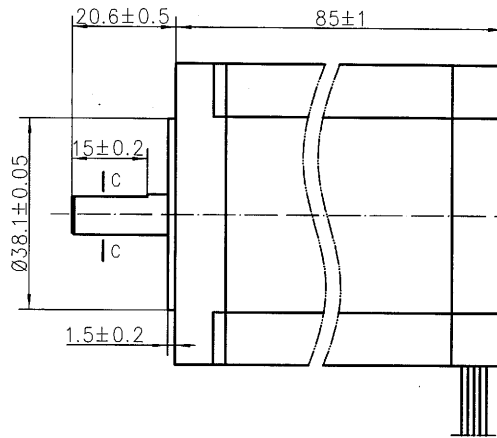
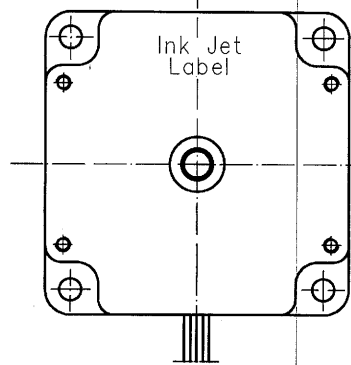
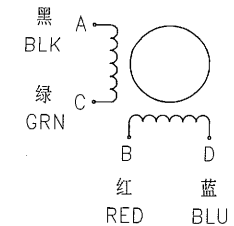


4611110008934



接线图
Wiring Diagram



规格 Specifications

1. 相数 Number of Phase	2
2. 步距角 Step Angle	1.8°
3. 额定电压 Rated Voltage	2.6 V DC
4. 额定电流 Rated Current	4 Amp
5. 保持力矩 Holding Torque	2.7 N.m Min.(Two phase on/rated current)
6. 相电阻 Phase Resistance	0.65±0.1ohm(20°C)
7. 相电感 Phase Inductance	2.4mH±20%(1kHz 1V rms)
8. 转子惯量 Rotor Inertia	900g.cm ²
9. 电机重量 Motor Weight	1.4kg
10. 绝缘等级 Insulation Class	B(130°C)

励磁顺序vs. 旋转方向

Exciting Sequence vs. Direction of Rotation

STEP	A	B	C	D	CCW
1	+	+	-	-	↑
2	-	+	+	-	
3	-	-	+	+	
4	+	-	-	+	

从安装面看为顺时针方向

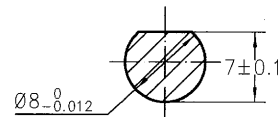
Clockwise view from mounting side

铭牌 Label Detail

MOONS' STEPPING MOTOR
TYPE 24HS5401-26N
XXXXXXXX YY/MM/DD

Work Order 加工单号
Date Format 日期格式

C-C
2:1



保 密

Unit: mm
第一角画法
FIRST ANGLE METHOD
未注线性与角度尺寸公差
Tolerances for linear and angular dimensions without individual tolerance indications
GB/T 1804-m eqv ISO 2768-1:m
未注形状与位置尺寸公差
Geometrical tolerance for features without individual tolerance indications
GB/T 1184-K eqv ISO 2768-2:K

批准 Approve	7/28	5.30
标准化 Standard	2011.05.30	5.30
工艺 Technology	2011.05.30	5.30
审核 Check	2011.05.30	5.30
设计 Design	杨涛	2011.05.30

MOONS' Hybrid Stepping Motor
Shanghai Moons' Electric Co., Ltd.
This document is released for information only. Its reproduction in whole or in part or its dissemination to third parties is prohibited. All trademarks and registered trademarks appearing on this document are the property of their respective owners.

REV.	版本记录 REVISION RECORD	DATE	UNLESS OTHERWISE SPECIFIED	NAMES	SIGNATURE	DATE	Type: 24HS5401-26N	Rev.A	SCALE 1:1	Sheet 1 of 1
------	----------------------	------	----------------------------	-------	-----------	------	--------------------	-------	-----------	--------------