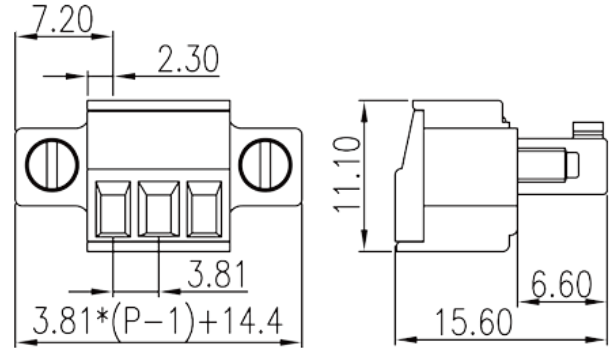
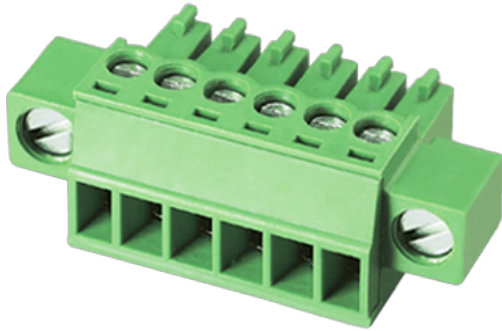


EC381VM-XXP

PCB > PCB -

:2018-10-04 :1.1



Pitch : 3.81 mm , 300V , 8A

	PCB Connector Plug , Screw Connection
	PCB Connector - Plug
(mm)	3.81
	Green(default)
	Screw Connection
	With screw flange
(mm)	$3.81 \times (P-1) + 14.40$
(mm)	15.60
(mm)	11.10
()	02~24
	Single level
	PA66
	I
UL 94	V0
	Copper Alloy
	Tinned



-IEC

(A)	14
(II/2)(V)	320
(III/2)(V)	160
(III/3)(V)	160
(II/2)(KV)	2.5
(III/2)(KV)	2.5
(III/3)(KV)	2.5
(mm ²)	0.2
(mm ²)	1.5
(mm ²)	0.2
(mm ²)	1.5
(mm ²) , ,	0.25
(mm ²) , ,	1.5
(mm ²) , ,	0.25
(mm ²) , ,	0.5
2 (mm ²)	0.75
2 (mm ²)	0.75
(mm ²) 2 , ,	0.25
(mm ²) 2 , ,	0.34
2 (mm ²) , ,	0.5
2 (mm ²) , ,	0.5
	M2
Width)(mm) (Blade thickness x	0.4x2.5
Philips	PH0
(N.m)	0.2
	7~8

-UL

(UL/CUL Group B)(V)	300
---------------------	-----



(UL/CUL Group B)(A)		8
(UL/CUL Group D)(V)		300
(UL/CUL Group D)(A)		8
UL/CUL	AWG	28
UL/CUL	AWG	14
UL/CUL	AWG	28
UL/CUL	AWG	14

&

가	(YES or NO)	YES
		115
		-40

UL

(Group B)(AWG)		28~14
(Group B)(V)		300
(Group B)(A)		8
(Group D)(AWG)		28~14
(Group D)(V)		300
(Group D)(A)		8

CUL

(Group B)(AWG)		28~14
(Group B)(V)		300
(Group B)(A)		8
(Group D)(AWG)		28~14
(Group D)(V)		300
(Group D)(A)		8

VDE

(mm ²)		0.2~1.5
(V)		320
(A)		14

