



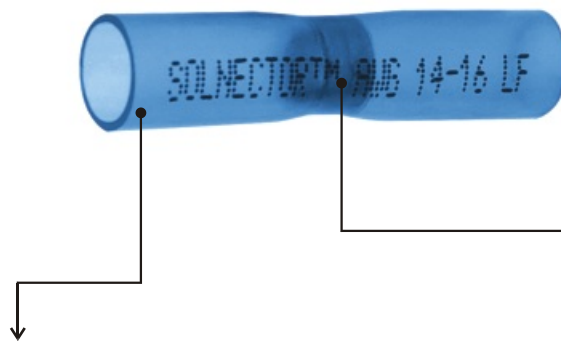
SOLNECTOR™
SOLDER SLEEVE CONNECTOR

INTRODUCTION



The SOLNECTOR™ produced by ORIENS KOREA Co., Ltd. is an integral part of heat-shrinkable tube coated with adhesive and flux-coated solder preform. It is designed that no required of special soldering work when connecting wires by anyone easily with only hot air or torch. Hot melt adhesive is coated inside to prevent moisture penetration and is completely protected from dust and other contaminants.

CONSTRUCTION



Translucent heat shrinkable sleeve
(with hot melt adhesive)







Fluxed preform solder

PRODUCTS



SOLNECTOR™ Terminals

PART Number	COLOR		DIMENSIONS			CABLE SIZE A.W.G (mm ²)
			HEAT SHRINK TUBE		SOLDER	
			L	I.D (ØD)	I.D (Ød)	
OR-B-19		White	26	3.1	1.9	26 - 24 (0.25 - 0.34)
OR-B-29		Red	36	4.4	2.9	22 - 18 (0.5 - 1.0)
OR-B-47		Blue	36	6.5	4.7	16 - 14 (1.5 - 2.5)
OR-B-62		Yellow	42	8.0	6.2	12 - 10 (4.0 - 6.0)

- Can be manufactured for non-standard products by customer's request.

1. Heat shrink tube : Adhesive-Lined

- Operating temperature range : -55°C ~ 125 °C
- Minimum shrink temperature : 110 °C
- Shrink ratio : 3 : 1

2. Solder : Fluxed solder preform

- Alloy : Sn42/Bi58
- Solder melting point : 138 °C

FEATURES



SOLDERING

Low melting point preform solder coated flux is inserted inside the tube and no soldering process is required separately, and solder-connected wires have a good electrical conductivity.



WATERPROOF

As the hot melt adhesive is coated inside, the tube shrinks and completely protected from the moisture, dust, oil and wear.



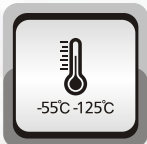
SHRINK RATIO

The heat shrinkage ratio is 3 : 1 and can be applied to various wire standards and easy to insert.



HOT MELT ADHESIVE

The heat shrinkable tube is coated with a hot melt adhesive and is perfectly sealed, thus providing excellent insulation.



OPERATING TEMPERATURE

It can be used in a wide range of operating temperatures, and has an excellent durability at low temperature / high temperature.



RoHS COMPLIANT

SOLNECTOR™ products are environmental friendly products.



LEAD FREE

SOLNECTOR™ is a lead-free solder not containing lead (Pb).



EYE INSPECTION

Translucent tubes can be visually inspected for wire connections.



COLOR TUBE

It is convenient for the user to use the wire by the standardized color code.

APPLICATION



Automotive



Marine equipment



Commercial Vehicle



Home appliances



Streetlight



Fountain / Sauna

- The application of the SOLNECTOR can be used for other connections except above
- It represents some of the more common uses.

HEATING TOOL



Heating gun



Gas torch



Reflector-Nozzle



Mini Gas torch



Infrared Heating Equipment



ORIENS
GREEN PRODUCT DEVICE

D-1010, Smart-valley, 30, Songdomirae-ro, Yeonsu-gu, Incheon, Korea

TEL. +82-32-816-2622 FAX. +82-32-816-2625

E-mail. oriens_1@naver.com

