

A3

REV	ECN NO	DESCRIPTION	DATE	APPD
A	ECN1305070	INITIAL EDITION	2013.05.09	Bill Zheng

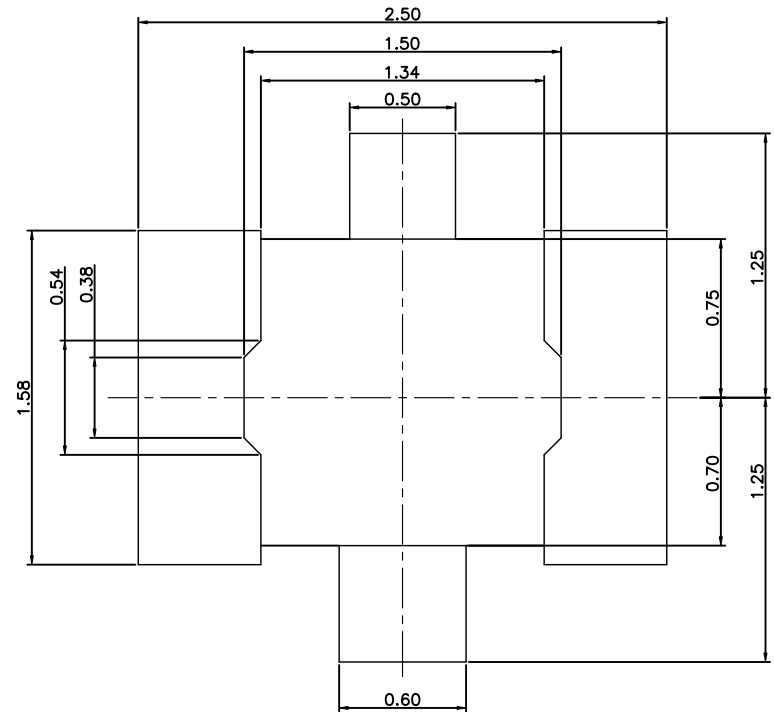
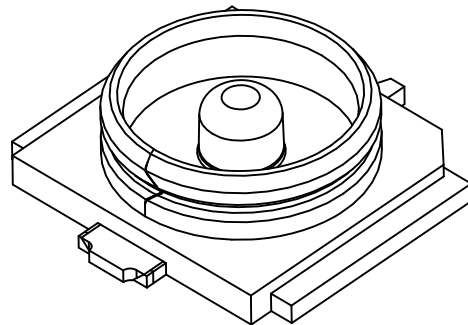
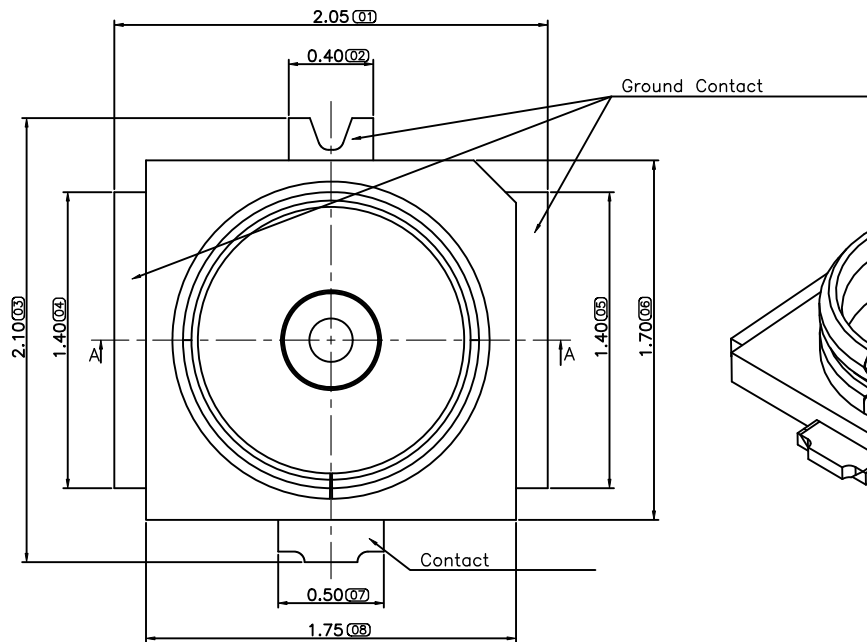
A

B

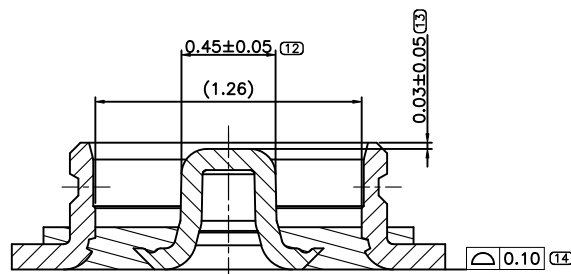
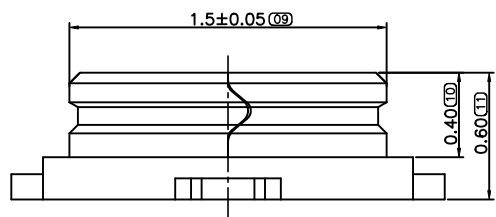
C

D

E



Recommended PCB Layout
(General Tolerance Is ±0.05)



SECTION: A-A

NOTE:

- MATERIAL:
 - HOUSING: THERMOPLASTIC, COLOR: BLACK, UL 94V-0;
 - CONTACT: COPPER ALLOY, T=0.10mm;
 - SHELL: COPPER ALLOY, T=0.12mm.
- FINISH:
 - CONTACT: 0.30um GOLD PLATED ON MATING AREA, GOLD FLASH ON SOLDER TAILS, NICKEL UNDER PLATED OVER OF THE ALL;
 - SHELL: GOLD FLASH ON THE ALL, NICKEL PLATED UNDER.
- THE INCOMING MATERIAL, MANUFACTURING PROCESS AND THE SHIPMENT MUST ACCORD WITH THE REQUIREMENT OF FAF JH-GP-213 ENVIRONMENT MANAGEMENT MATERIAL FORBIDDEN USED PROCEDURE.

EXTEND USE		TITLE	
RF 1.2H REC Connector		7.020A0 Connector Customer Drawing	
GENERAL TOLERANCE (M)		APPD Bill Zheng 2013.05.09	
DIMENSION ANGLES		QTY CHD David Wang 2013.05.09	
FINISHED		DRN Rico Wang 2013.05.09	
DWG NO C-7.020A0		P/N: 7.020A0-000-1R0	
SHEET 1/1		SCALE 1:1	
REV A		REV A	