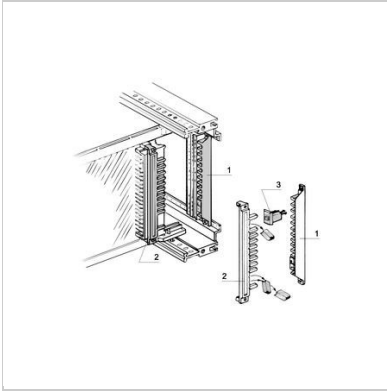
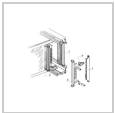


# Connector Coding



Other Views



Catalog Number: 20800-042

[Back To Product](#)

- Use with plug-in units to avoid incorrect insertion
- For connectors in accordance with EN 60603 (DIN 41612)
- Needed space of front panel width: 4 HP: Type B, C, D, E, F, H
- Needed space of front panel width: 5 HP: Type E, G (Spacer element is required)
- 66 keying/coding possibilities if 2 keying/coding pins are used
- 924 keying/coding possibilities if 6 keying/coding pins are used

**Note:**

For connectors types E and G spacers are always required

**Description:**

Connector Coding

**Product family:**

PCB Accessories



Select product specifications before modifying or adding to project list or requesting a quote.

[Clear Selection](#)

\* Country / Region

United States

Quantity

Add Item to Project List +

Documents



Main Catalog - Connectors, busbars

Recently Viewed



Connector Coding

## Technical Data

## Delivery Comprises:

Item	Quantity	Description
1	10	Contact strip PBTP, UL 94 V-0, 10 pieces
2	10	female strip, PBTP, UL 94 V-0, 10 pieces
3	20	keying/coding pins, PBTP, UL 94 V-0, 20 pieces

## Accessories



Keying/coding pins, PBTP, UL94V-0

20800-078

Add Item to Project List +

Thumbnail Image

Assembly kit, Screw M2.5 x 18, PU 100 pieces

21100-404

Add Item to Project List +



Spacer elements for types E, G, Aluminium, sufficient for 10 female strips

20800-036

Add Item to Project List +

Services & Capabilities  
News & Events  
Newsletter Subscriptions  
Strategic Partnerships  
Investor Relations  
Virtual Patent Marking

Find a Sales Office or Distributor  
Global Locations  
Product Compliance & Certifications  
Partner Login

Reference Projects  
Videos  
Product Configurators  
Warranties and Terms of Sale & Procurement

© 2019 nVent. All rights reserved | [Privacy Policy](#) | [Terms of Use](#) | [Site Map](#)

## Connect With Us

