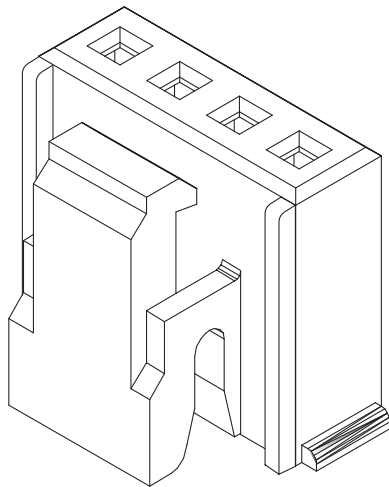


2.00mm (0.079") PITCH CONNECTOR

Wire-to-Board
Housing

SMH200

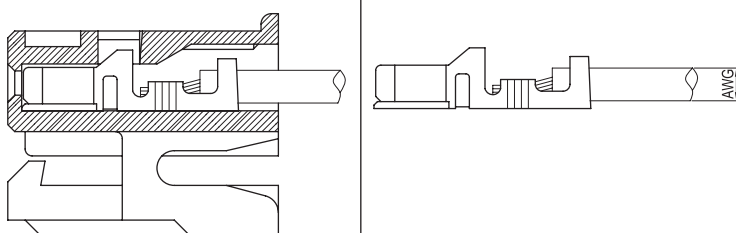
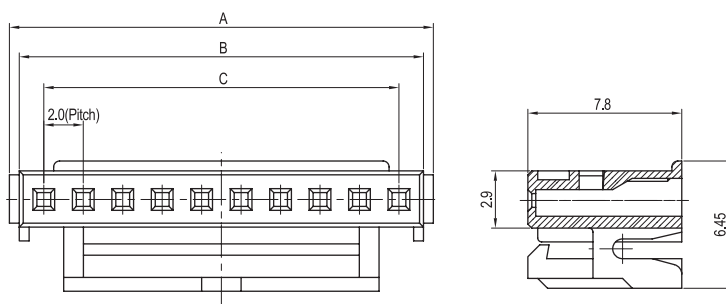
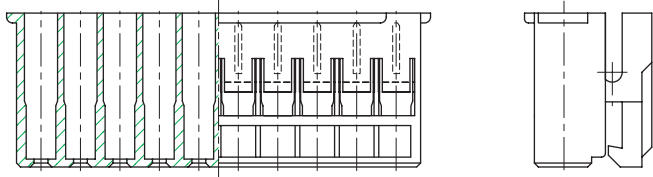


Material

I/NO	DESCRIPTION	TITLE	MATERIAL
1	HOUSING	SMH200	PA66, UL 94V Grade

Available Pin

PARTS NO.	A	B	C
SMH200-02P	5.6	4.6	2.0
SMH200-03P	7.6	6.6	4.0
SMH200-04P	9.6	8.6	6.0
SMH200-05P	11.6	10.6	8.0
SMH200-06P	13.6	12.6	10.0
SMH200-07P	15.6	14.6	12.0
SMH200-08P	17.6	16.6	14.0
SMH200-09P	19.6	18.6	16.0
SMH200-10P	21.6	20.6	18.0
SMH200-11P	23.6	22.6	20.0
SMH200-12P	25.6	24.6	22.0
SMH200-13P	27.6	26.6	24.0
SMH200-14P	29.6	28.6	26.0
SMH200-15P	31.6	30.6	28.0



TERMINAL ASSEMBLY DRAWING

AWG : #22 ~ #28

Specification

ITEM	SPEC
Voltage Rating	AC/DC 250V
Current Rating	AC/DC 3A
Operating Temperature	-25°C ~ +85°C
Contact Resistance	30mΩ MAX
Withstanding Voltage	AC1000V/1min
Insulation Resistance	1000MΩ MIN
Applicable Wire	AWG #22~#28
Applicable P.C.B	-
Applicable FPC/FFC	-
Solder Height	-
Crimp Tensile Strength	-
UL FILE NO	E108706

Application Terminal : YST200 (83 page)