

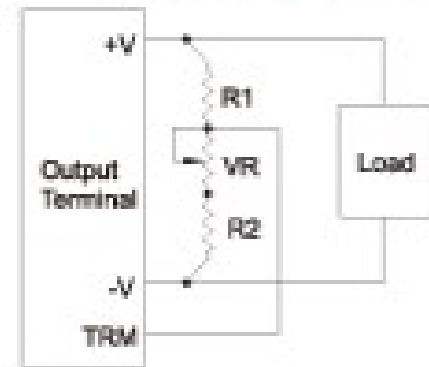
PIN ASSIGNMENTS

Single Output	
1. +Vin	
2. GNT	
3. Case	
4. - Vin	
<hr/>	
5. - Vout	
6. No Pin	
7. TRM	
8. No Pin	
9. +Vout	

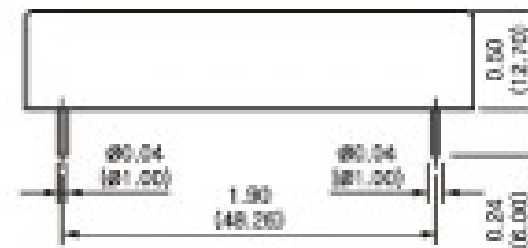
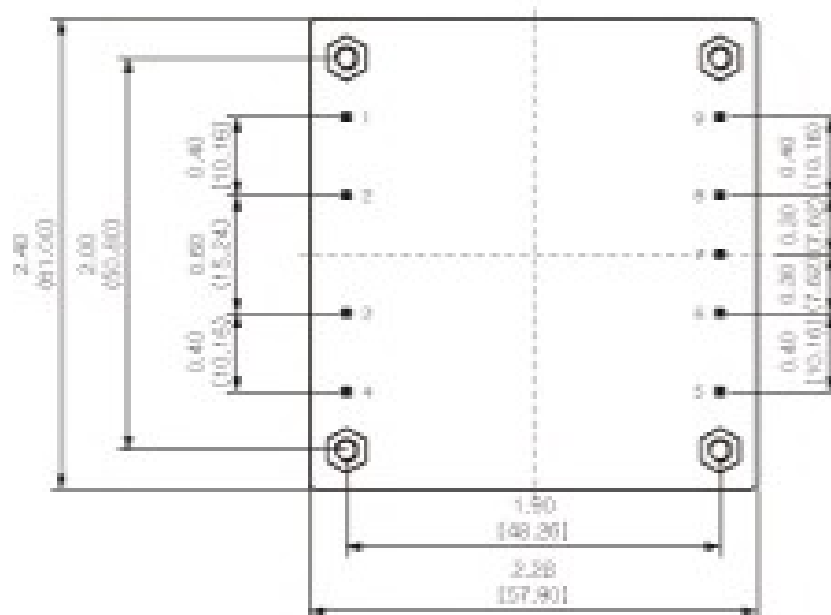
EXTERNAL PARTS

Model	Output Voltage	VR	R1	R2
HR550	3.3V	500Ω	1kΩ	560Ω
	5V	1kΩ	1kΩ	680Ω
	12V	1kΩ	3.9kΩ	680Ω
	15V	1kΩ	5.6kΩ	750Ω
	24V	2kΩ	24kΩ	2kΩ

TRIM METHOD



DIMENSIONS



- NOTE**
- 1 All dimension are in inches (mm)
 - 2 Weight : 75g or less
 - 3 Case Material : Al