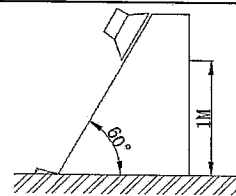
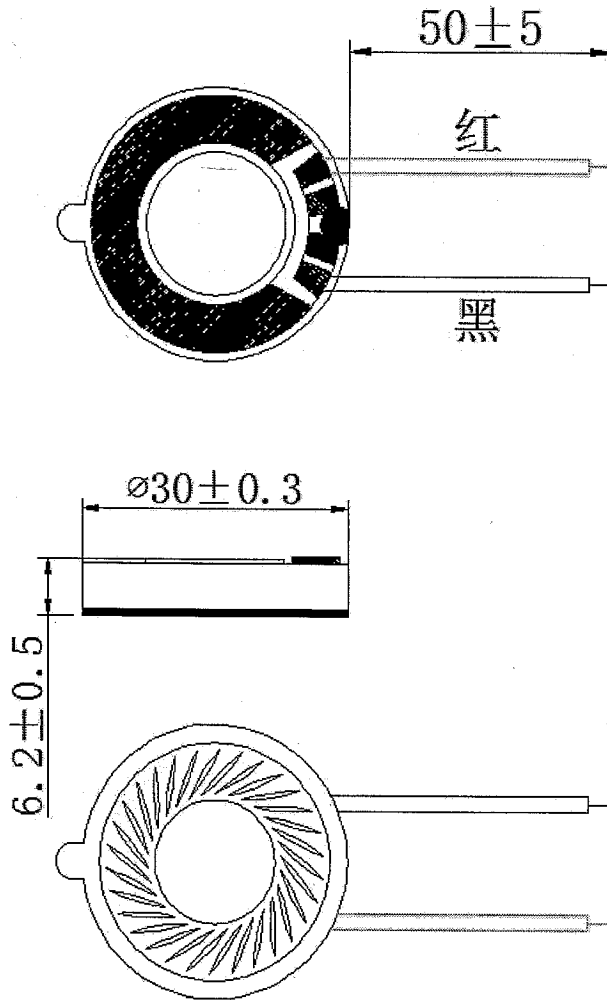


| 顾客<br>CUSTOMER       |                                | 顾客型号<br>CUSTOMER'S NO  |                       |
|----------------------|--------------------------------|--|-----------------------|
| 厂内型号<br>OUR PART NO. |                                | 样品号码<br>SAMPLE NO.   |                       |
| NO.                  | Item                           | Specification  | Condition             |
| 1                    | Dimensions<br>尺寸               | $\phi 30*6.2H$ mm  |                       |
| 2                    | Nomial Impedance<br>标称阻抗       | $32 \pm 15\%$ OHM  | At 1.0KHz / 0.178V    |
| 3                    | Input power<br>输入功率            | Rated:30MW/ Max:50MW   | At 0.97V / 1.2V       |
| 4                    | Resonance Frequency<br>最低共振周波数 | $\pm 20\%$ Hz  | At 0.178V             |
| 5                    | S. P. L.<br>音压位准               | $120 \pm 3$ dB(0.01W/0.01M)  | A1.0KHz (Average)     |
| 6                    | Frepency Range<br>有效频宽         | F0~20K   | Output S.P.L. -10dB   |
| 7                    | Distortion<br>失真               | 5%Max  | At 1.0KHz 0.01W/0.01M |
| 8                    | Buzze & Rattle<br>异常音          | Not be audible sine wave between at 0.96V /200~5KHz.<br>(输入 0.96V 正弦波从 200 到 5KHz 无异常音)  |                       |
| 9                    | Polarity<br>极性                 | Diaphragm shall move forward.<br>(端子的正极通入电流, 振膜振动方向向前)   |                       |
| 10                   | Load test<br>连续负荷测试            | Must be normal after load test:white noise 24 hours.<br>(白噪声连续 24 小时试验后无异常的不良)   |                       |
| 11                   | High TEMP test<br>耐热试验         | After having been in a test chamber for 48 hours at the condition of +60°C 20~25%R.H and keep 2 hours.(+60°C 20~25%R.H, 48 小时试验常温 2 小时后, 无异常的不良)   |                       |
| 12                   | Cold TEMP test<br>耐寒试验         | After having been in a test chamber for 48 hours at the condition of -25°C $\pm 3$ °C and keep 2 hours.(-25°C $\pm 3$ °C, 48 小时试验常温 2 小时后, 无异常的不良) |                       |
| 13                   | Humidity test<br>耐湿试验          | After having been in a test chamber for 48 hours at the condition of +40°C 90~95%R.H and keep 4 hours. (+40°C 90~95%R.H, 48 小时试验常温 4 小时后, 无异常的不良)  |                       |
| 14                   | Drop test<br>跌落试验              | The speak shall be dropped 2 times as shown the figure, clause 8 shall be satisfied.<br>(如右图示 2 次跌落满足异常音试验无异常)                                     |                       |
| 15                   | Weld<br>焊接条件                   | terminal weld: 350°C/ $\leq 3\sim 5$ sec*2bit. (端子焊接不超过 3~5 秒)   |                       |
| 16                   | Operating TEMP<br>工作温度         | -25°C To +60°C   |                       |
| APPROVEN BY: 蔡海涛     |                                | CHECKED BY: 劳泽卫  | DRAWING BY: 范君        |



(주)가나웨이브시스

19. APPEARANCE DRAWING 外观尺寸图



|            |            |              |                   |  |           |                   |                  |     |    |  |
|------------|------------|--------------|-------------------|--|-----------|-------------------|------------------|-----|----|--|
| 公差<br>TOL  | 如图         | 单位<br>UNIT   | mm                |  |           |                   | 顾客<br>CUSIOMER   |     |    |  |
| 重量<br>N. G |            | 比例<br>SCALE  | 1:1               |  |           |                   | 机种名称<br>PART NO. |     |    |  |
|            | 日期<br>DATE | 说明<br>REVISE | 日期<br>DATE        |  | 版号<br>1.0 | 图番<br>DRAWING NO. |                  |     |    |  |
| 1.         |            |              | <b>(주)가나웨이브시스</b> |  |           |                   | 核准               | 审核  | 制图 |  |
| 2.         |            |              |                   |  |           |                   | 蔡海涛              | 劳泽卫 | 范君 |  |
| 3.         |            |              |                   |  |           |                   |                  |     |    |  |