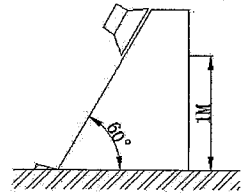
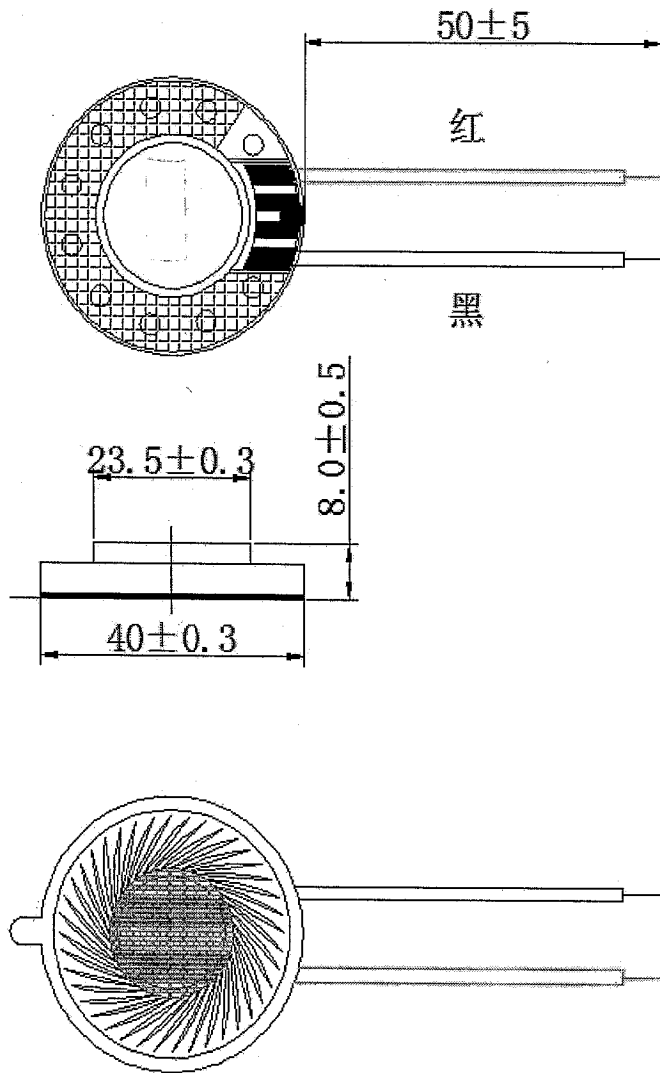


顾客 CUSTOMER		顾客型号 CUSTOMER'S NO	
厂内型号 OUR PART NO.		40E32J16NE27-L50	样品号码 SAMPLE NO.
NO.	Item	Specification	Condition
1	Dimensions 尺寸	$\phi 40*8.0H$ mm	
2	Nomial Impedance 标称阻抗	$32 \pm 15\%$ OHM	At 1.0KHz / 1.78V
3	Input power 输入功率	Rated:30MW/ Max:50MW	At 0.97V / 1.2V
4	Resonance Frequency 最低共振周波数	$\pm 20\%$ Hz	At 1.78V
5	S. P. L. 音压位准	$119 \pm 3$ dB(0.01W/0.01M)	At 1.0KHz (Average)
6	Frepuency Range 有效频宽	F0~20K	Output S.P.L. -10dB
7	Distortion 失真	5%Max	At 1.0KHz 0.01W/0.01M
8	Buzze & Rattle 异常音	Not be audible sine wave between at 1.2V /200~5KHz. (输入 1.2V 正弦波从 200 到 5KHz 无异常音)	
9	Polarity 极性	Diaphragm shall move forward. (端子的正极通入电流, 振膜振动方向向前)	
10	Load test 连续负荷测试	Must be normal after load test:white noise 24 hours. (白噪声连续 24 小时试验后无异常的不良)	
11	High TEMP test 耐热试验	After having been in a test chamber for 48 hours at the condition of +60°C 20~25%R.H and keep 2 hours.(+60°C 20~25%R.H, 48 小时试验常温 2 小时后, 无异常的不良)	
12	Cold TEMP test 耐寒试验	After having been in a test chamber for 48 hours at the condition of -25°C $\pm 3$ °C and keep 2 hours.(-25°C $\pm 3$ °C, 48 小时试验常温 2 小时后, 无异常的不良)	
13	Humidity test 耐湿试验	After having been in a test chamber for 48 hours at the condition of +40°C 90~95%R.H and keep 4 hours. (+40°C 90~95%R.H, 48 小时试验常温 4 小时后, 无异常的不良)	
14	Drop test 跌落试验	The speak shall be dropped 2 times as shown the figure, clause 8 shall be satisfied. (如右图示 2 次跌落满足异常音试验无异常)	
15	Weld 焊接条件	terminal weld: 350°C / $\leq 2 \sim 3$ sec*2bit. (端子焊接不超过 2~3 秒)	
16	Operating TEMP 工作温度	-25°C To +60°C	
APPROVEN BY: 蔡海涛		CHECKED BY: 劳泽卫	DRAWING BY: 范君



(주)가나웨이브시스

19. APPEARANCE DRAWING 外观尺寸图



公差 TOL	如图	单位 UNIT	mm				顾客 CUSIOMER			
重量 N. G		比例 SCALE	1:1				机种名称 PART NO.	40E32J16NE27-L50		
	日期 DATE	说明 REVISE	日期 DATE	版号	1.0	图 番 DRAWING NO.				
1.			(주)가나웨이브시스				核准	审核	制图	
2.							蔡海涛	劳泽卫	范君	
3.										