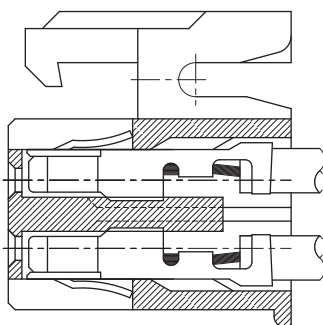
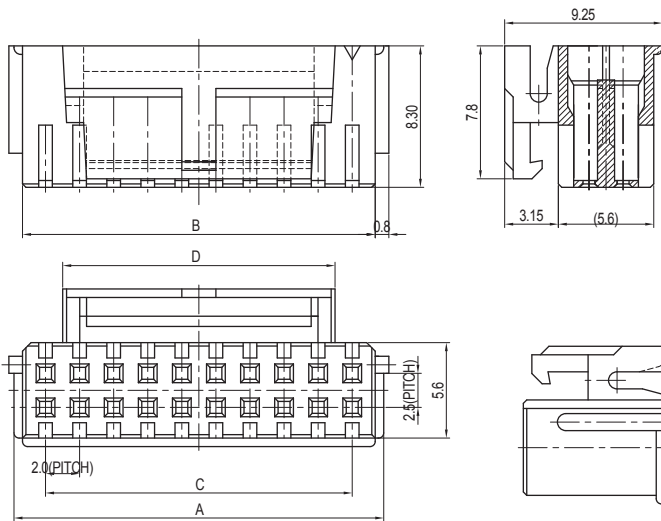
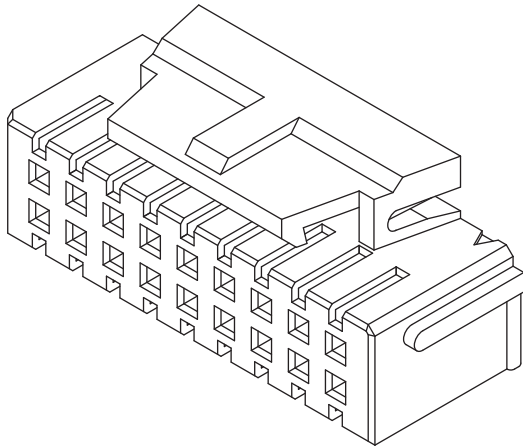


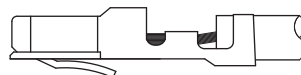
# 2.00mm (0.079") PITCH CONNECTOR

Wire-to-Board  
Housing

SMH200-NNC



TERMINAL ASSEMBLY DRAWING



AWG : #22 ~ #28

## Material

I/NO	DESCRIPTION	TITLE	MATERIAL
1	HOUSING	SMH200-NNC	PA66, UL 94V Grade

## Available Pin

PARTS NO.	A	B	C	D
SMH200 - 10C	11.7	10.7	8.0	6.0
SMH200 - 12C	13.7	12.7	10.0	8.0
SMH200 - 14C	15.7	14.7	12.0	10.0
SMH200 - 16C	17.7	16.7	14.0	12.0
SMH200 - 18C	19.7	18.7	16.0	14.0
SMH200 - 20C	21.7	20.7	18.0	16.0
SMH200 - 22C	23.7	22.7	20.0	16.0
SMH200 - 24C	25.7	24.7	22.0	16.0
SMH200 - 26C	27.7	26.7	24.0	16.0
SMH200 - 28C	29.7	28.7	26.0	16.0
SMH200 - 30C	31.7	30.7	28.0	16.0
SMH200 - 32C	33.7	32.7	30.0	16.0
SMH200 - 34C	35.7	34.7	32.0	16.0
SMH200 - 36C	37.7	36.7	34.0	16.0
SMH200 - 38C	39.7	38.7	36.0	16.0
SMH200 - 40C	41.7	40.7	38.0	16.0

## Specification

ITEM	SPEC
Voltage Rating	AC/DC 250V
Current Rating	AC/DC 3A
Operating Temperature	-25°C~+85°C
Contact Resistance	30mΩ MAX
Withstanding Voltage	AC1000V/1min
Insulation Resistance	1000MΩ MIN
Applicable Wire	AWG #22~#28
Applicable P.C.B	-
Applicable FPC/FFC	-
Solder Height	-
Crimp Tensile Strength	-
UL FILE NO	E108706

Application Terminal : YST200-C (104 page)