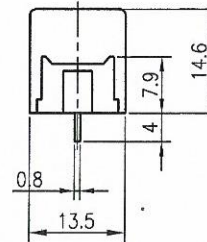
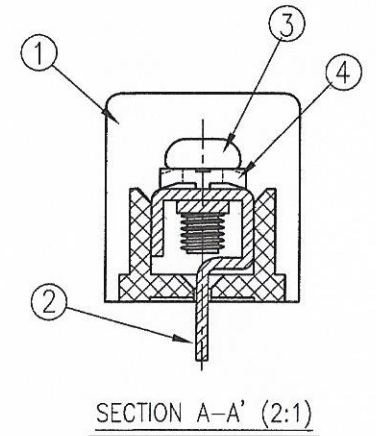
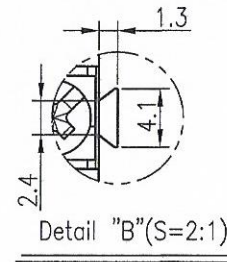
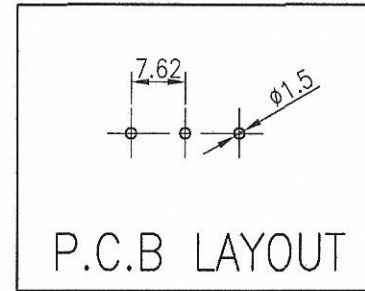
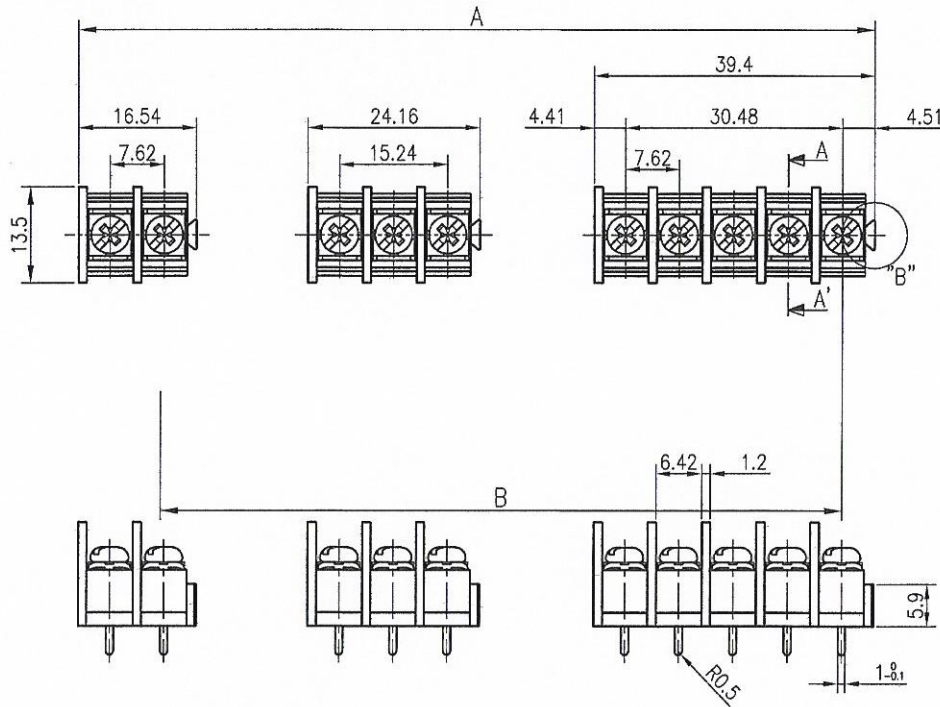


P	1	2	3	4	5	6	7	8	9	10	11	12	13	14	15	16	17	18	19	20	∞
A±0.5	-	16.54	24.16	31.78	39.4	47.02	54.64	62.26	69.88	77.5	85.12	92.74	100.36	107.98	115.6	123.22	130.84	138.46	146.08	153.7	...
B±0.5	-	7.62	15.24	22.86	30.48	38.1	45.72	53.34	60.96	68.58	76.20	83.82	91.44	99.06	106.68	114.30	121.92	129.54	137.16	144.78	...

COMMERCIAL TOLERANCE		
0.5 to 3		± 0.12
over 3 to 6		± 0.16
over 6 to 10		± 0.18
over 10 to 18		± 0.22
over 18 to 30		± 0.25
over 30 to 50		± 0.3
over 50 to 80		± 0.35



### SPECIFICATION

- 1.정격 : 250V 10A
- 2.절연 저항 : DC 500V 1000MΩ 이상
- 3.내전압 : AC2000V/min
- 4.사용온도범위: -40°C ~ 85°C
- 5.조임 Torque 권고치 : 5kgf·cm 이내

원본도

\*본 제품은 유해 물질 관리 기준치를 초과하지 않는 제품임 (RoHS Compliance)

DRAWN	CHECKED	CHECKED	APPROVED	THIRD ANGLE PROJECTION			TITLE	BR - 7621C	④	BOL-	WASHER	SPCC	P	□ 6X6	Ni
W.R.KIM				DATE.	UNIT	SCALE			③	BOL-	SCREW	SWCH10A	P	M3X6	Ni
10.01.05				2010.01.05	MM	1:1			②	DAN-762C	TERMINAL	BRASS	P	C2680R 10.8	Sn
				DWG No. BRT - 348				①	SAC-7621	FRAME	PBT	1	UL94V-0 (G30)	Bk	
								No.	PART No.	PART NAME	MATERIAL	Q'TY	REMARKS	FINISH	