

# Aluminum Terminal Block Box AL Series

알루미늄 단자박스 AL시리즈  
铸铝端子盒 AL 系列

5P ~ 50P

FEATURE | 특성 | 特征

- Screw type, RAL7001
- 스크류 타입, RAL 7001
- 螺栓型, RAL7001

SPECIFICATION | 사양 | 产品规格说明

- IP Rating / 방수, 방진 보호등급 / 防尘防水等级 | IP66/67
- IK Rating / 충격 테스트 / 冲击测试 | IK08
- Rated Insulation Voltage / 정격절연전압 / 额定绝缘电压 | 400V
- Rated Current Capacity / 정격전류용량 / 正常电流量 |  $0.75\text{mm}^2 - 1.5\text{mm}^2$
- Certification / 인증 / 认证 | TUV, CE

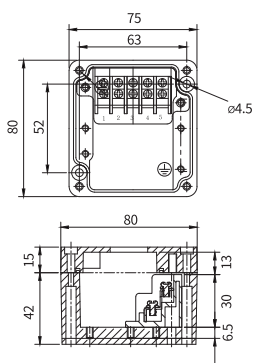
Stair type | 계단형 | 阶梯形

80x75x57 ~ 160x260x90mm

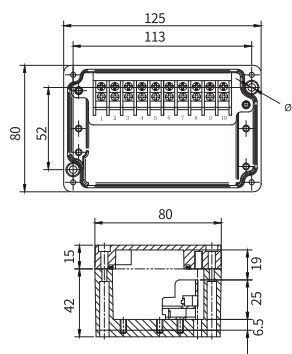
Model 모델 / 型号	Model size / 모델사이즈 / 型号尺寸	
	Size (W1xL1xH1/mm)	Size (W1xL1xH1/inch)
BC- AL- 5PT	80 x 75 x 57	3.15 x 2.95 x 2.24
BC- AL- 10PT	80 x 125 x 58	3.15 x 6.89 x 2.28
BC- AL- 15PT	100 x 160 x 80	3.94 x 7.87 x 3.15
BC- AL- 20PT	120 x 220 x 80	4.72 x 8.66 x 3.15
BC- AL- 20PAS	150 x 132 x 90	5.90 x 5.19 x 3.54
BC- AL- 20PA	160 x 160 x 90	6.30 x 6.30 x 3.54
BC- AL- 25PT	160 x 260 x 90	6.30 x 10.24 x 3.54
BC- AL- 30PAS	120 x 220 x 80	4.72 x 8.66 x 3.15
BC- AL- 30PA	180 x 180 x 100	7.09 x 7.09 x 3.94
BC- AL- 40PA	160 x 260 x 90	6.30 x 10.24 x 3.54
BC- AL- 50PA	160 x 260 x 90	6.30 x 10.24 x 3.54



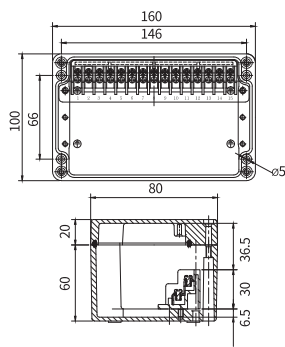
## AL- 5PT



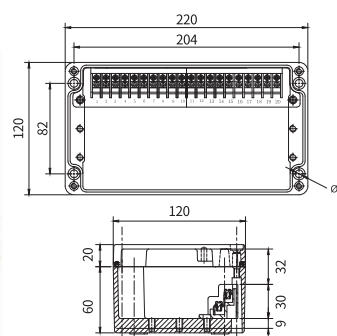
## AL- 10PT



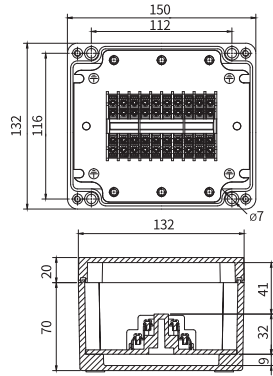
## AL- 15PT



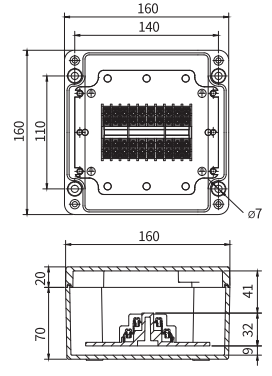
## AL- 20PT



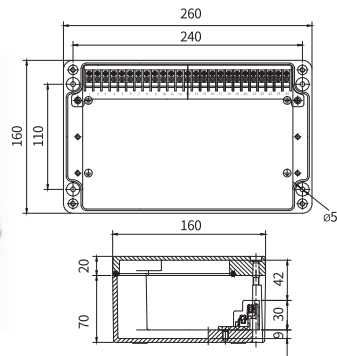
AL- 20PAS



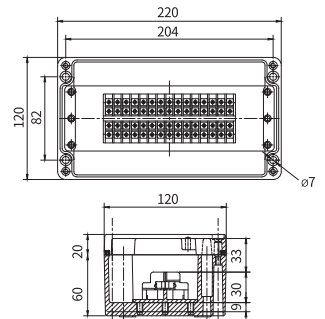
AL- 20PA



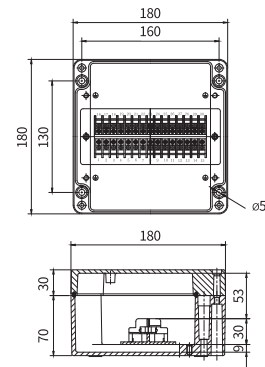
AL- 25PT



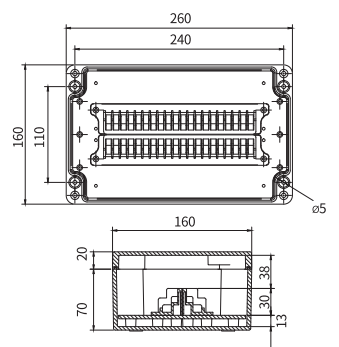
AL- 30PAS



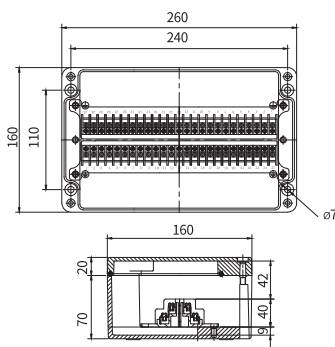
AL- 30PA



AL- 40PA



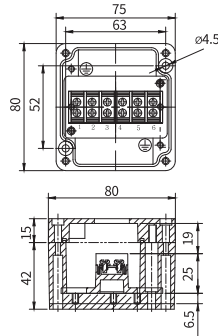
AL- 50PA



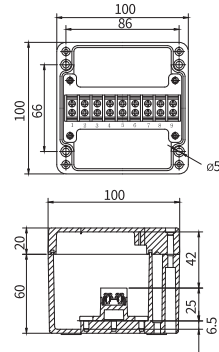
Flat type | 일자형 | 一字形  
80x75x57 ~ 230x200x110mm

Model 모델 / 型号	Model size / 모델사이즈 / 型号尺寸	
	Size (W1xLxH1/mm)	Size (W1xLxH1/inch)
BC- AL- 6P	80 x 75 x 57	3.15 x 2.95 x 2.24
BC- AL- 9P	100 x 100 x 80	3.94 x 3.94 x 3.15
BC- AL- 15P	100 x 160 x 80	3.94 x 7.87 x 3.15
BC- AL- 20P	120 x 220 x 80	4.72 x 8.66 x 3.15
BC- AL- 20P2	160 x 160 x 90	6.30 x 6.30 x 3.54
BC- AL- 30P2	230 x 200 x 110	9.06 x 7.87 x 4.33
BC- AL- 40P2	160 x 260 x 90	6.30 x 10.24 x 3.54
BC- AL- 45P3	230 x 200 x 110	9.06 x 7.87 x 4.33

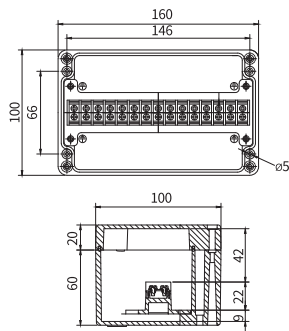
AL- 6P



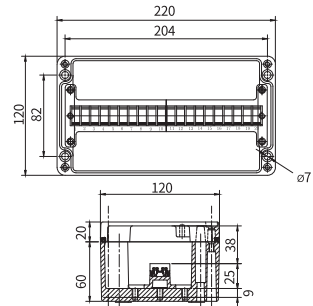
AL- 9P



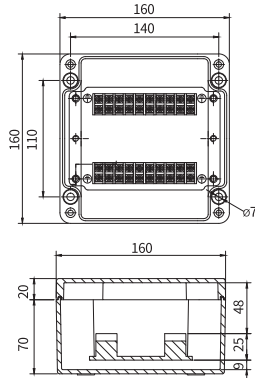
AL- 15P



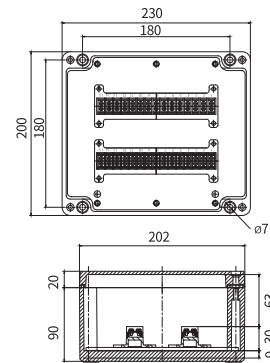
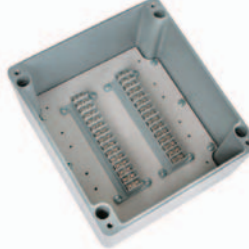
AL- 20P



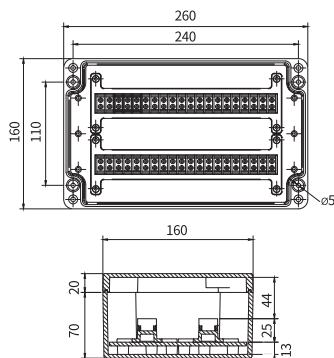
AL- 20P2



AL- 30P2



AL- 40P2



AL- 45P3

