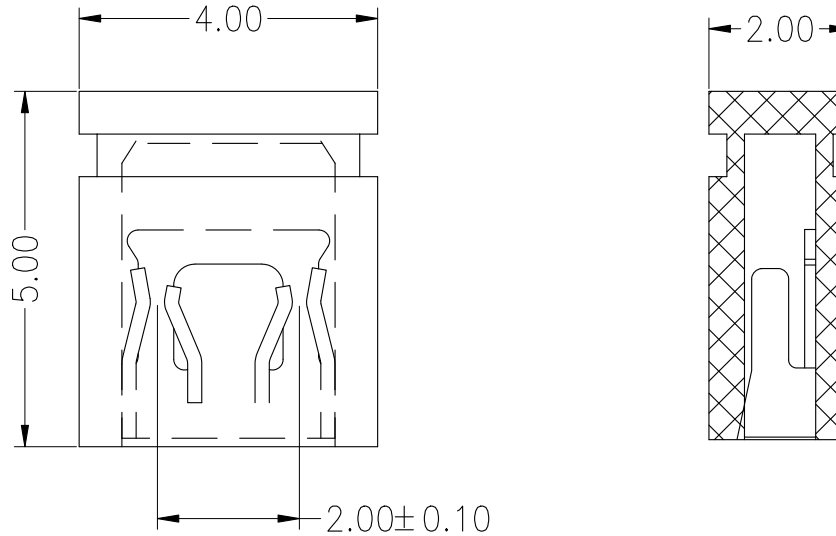


HSF RoHS

SPECIFICATIONS

Rated Current:2.0AMP
 Contact Resistance:20mΩ Max
 Withstand Voltage:500V AC/DC
 Insulation Resistance:1000MΩ Min
 Operation Temperature:-40°C to +105°C

Contact Material:Brass
 Contact Plating:Au Over Ni
 Insulator Material:Polyester(UL94V-0)
 Standard: PBT
 Max.Processing Temp: 230°C±5°C 5S



Ordering Information

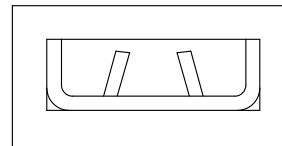
3811 50 01 C XX X 0X

Plastics Height
50=5.0mm

Contact Plating
 G1:1u" Gold
 G2:1.5u" Gold
 G3:2u" Gold
 G4:3u" Gold
 G5:5u" Gold
 N0:Gold Flash/Ni
 Ni:Ni

Color Type
 B=Black
 U=Blue
 R=Red
 W=White
 Y=Yellow

Serial code



| | | | | | | | | | | | | |
|-----|------------|--------------------------|--------|-----------|-------|---------|-----|----------|-------|-----|---|------------------------------------|
| | | | | OPERATION | | DRAW | WZG | 14.04.18 | SCALE | FIT | JILN ® 深圳市锦凌电子有限公司 SHENZHEN JINLING ELECTRONICS CO.,LTD Tel: 86-755-27483253 Fax: 86-755-2997-5588 | |
| | | | | X.X | ±0.30 | | | | UNIT | mm | | |
| | | | | X.XX | ±0.20 | CHECK | | | SIZE | A4 | PART NO. | 38115001CXXX0X |
| | | | | X.XXX | ±0.10 | | | | SHEET | 1/1 | TITLE: | 2.00 Mini Jumper 1*2Pin Close Type |
| A0 | 2012.04.18 | NEW DRAWING | | Angle | ±3° | APPROVE | | | PROJ. | ☉ | | |
| REV | DATE | MODIFICATION DESCRIPTION | CHANGE | DIM | TOL | | | | | | | |