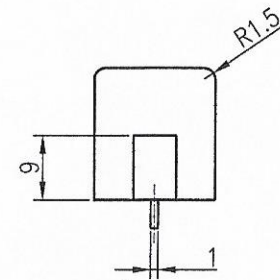
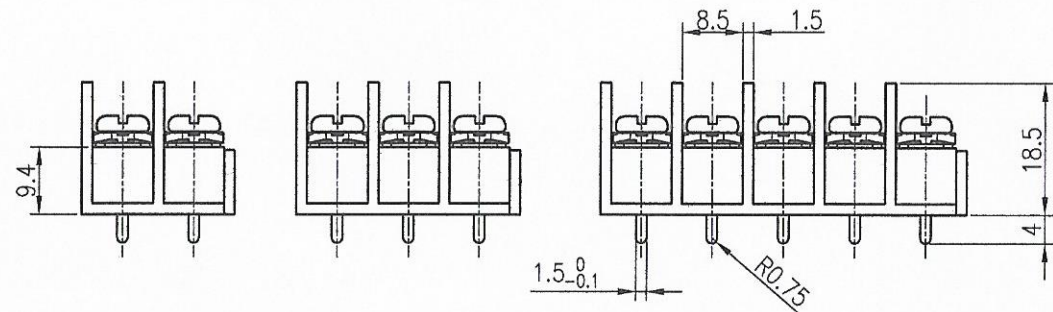
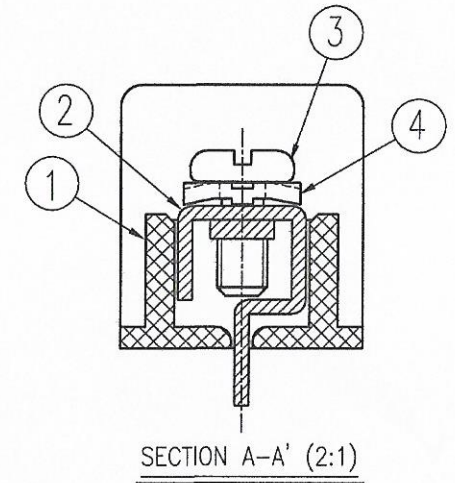
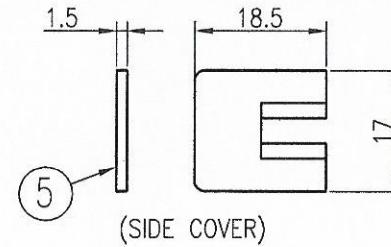
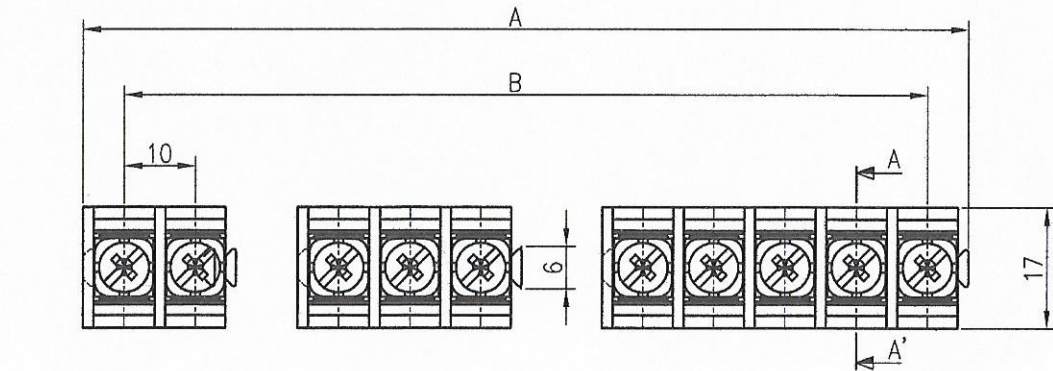
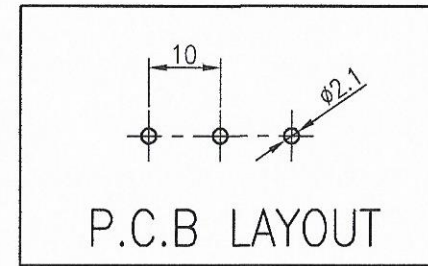


P	1	2	3	5
A±0.8	-	21.5	31.5	51.5
B±0.8	-	10.0	20.0	40.0

COMMERCIAL TOLERANCE	
0.5 to 3	± 0.12
over 3 to 6	± 0.16
over 6 to 10	± 0.18
over 10 to 18	± 0.22
over 18 to 30	± 0.25
over 30 to 50	± 0.3
over 50 to 80	± 0.35



원본도

SPECIFICATION

- 1.정격 : 250V 20A
- 2.절연 저항 : DC 500V 1000MΩ 이상
- 3.내전압 : AC2000V/min
- 4.사용온도범위 : -40°C ~ 85°C
- 5.조임 Torque 권고치 : 5kgf·cm 이내

*본 제품은 유해 물질 관리 기준치를 초과하지 않는 제품임 (RoHS Compliance)

DRAWN	CHECKED	CHECKED	APPROVED	THIRD ANGLE PROJECTION		
W.R.KIM	박정호		한인기	DATE.	UNIT	SCALE
09.04.29	15.06.29		15.06.30	2009.04.29	MM	1:1

TITLE	BR - 1001C
DWG No.	BRT - 136

⑤	COV-1001C	SIDE COVER	PBT	1	UL94V-0 (G30)	BK
④	BOL-	WASHER	SPCC	P	□8.2X8.2	Ni
③	BOL-	SCREW	SWCH10A	P	M3.5X8	Ni
②	DAN-950C	TERMINAL	BRASS	P	C2680R 1/2H t1.0	Sn
①	SAC-1001C	FRAME	PBT	1	UL94V-0 (G30)	BK
No.	PART No.	PART NAME	MATERIAL	Q'TY	REMARKS	FINISH



BEE-RYONG ELECTRONICS CO., LTD.