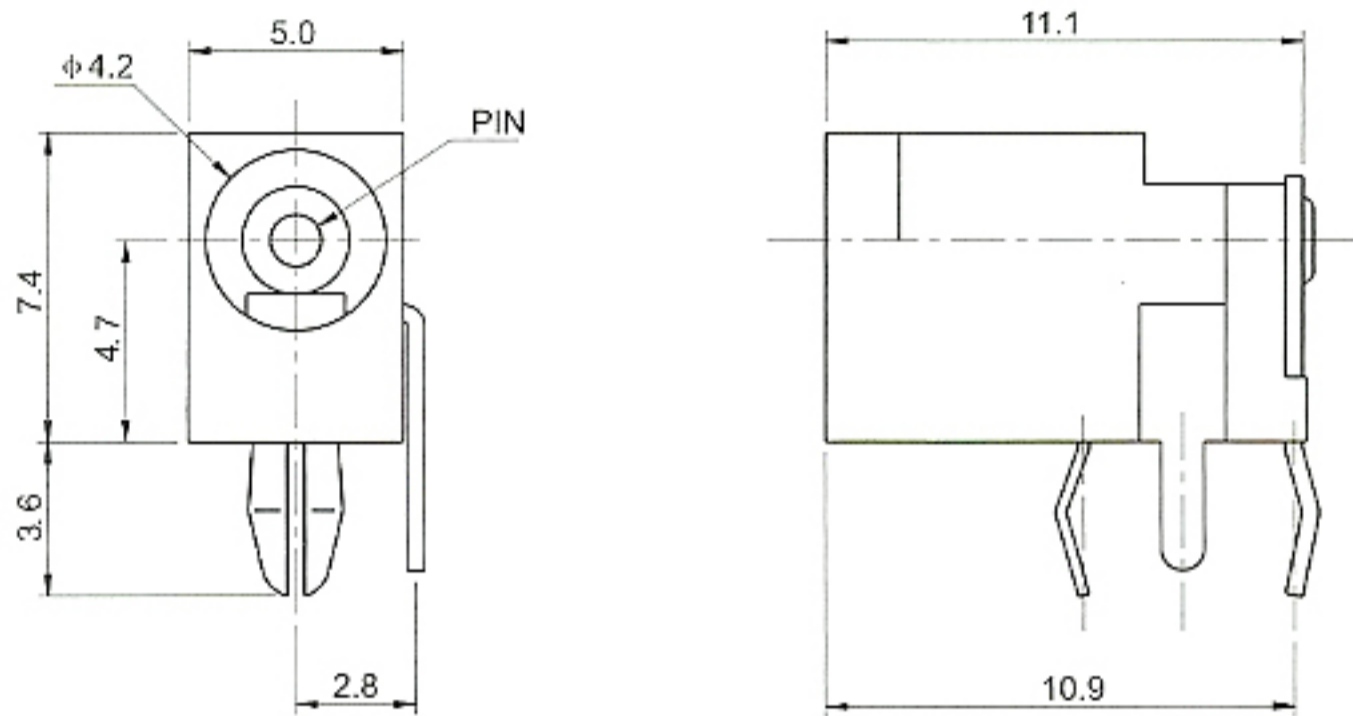
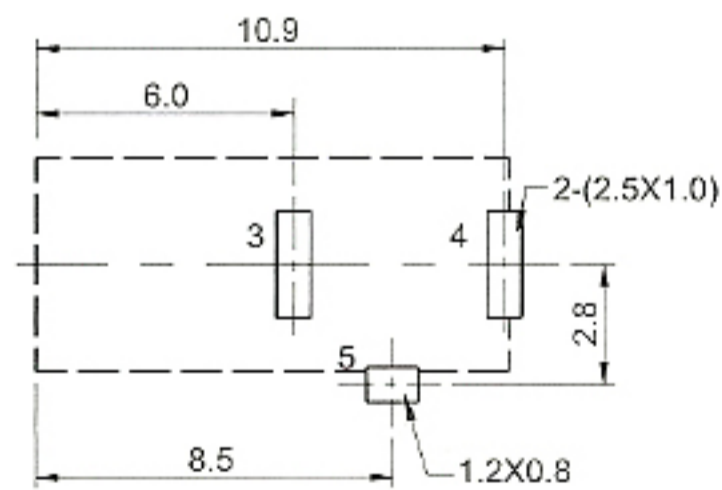


DC POWER JACK (DC-002A)



P.C.B LAYOUT TOP VIEW



PIN	φ 1.0	φ 1.3
APPD		

