

# GREEN ELECTRONICS CO., LTD.

GEC-1285

**FEATURES:**

Case: Noryl, Black

Pin: Tin-Plated Copper

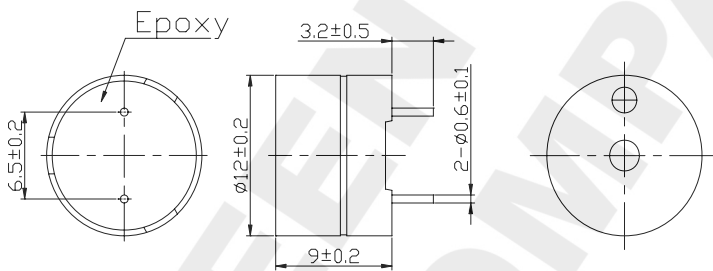
**SPECIFICATIONS:**

TYPE	UNIT	GEC-1285
◆ Min. Sound Output at 10cm	dB	85
Rated Voltage	V <sub>0-p</sub>	1.5
Operating Voltage	V <sub>0-p</sub>	1~3
Resonant Frequency	Hz	2400
◆ Max. Current Consumption	mA	40
Coil Resistance	Ω	50 ± 5
◇ Coil Impedance	Ω	80
Operating Temperature	°C	-20 ~ +70
Storage Temperature	°C	-30 ~ +80
Weight	g	2

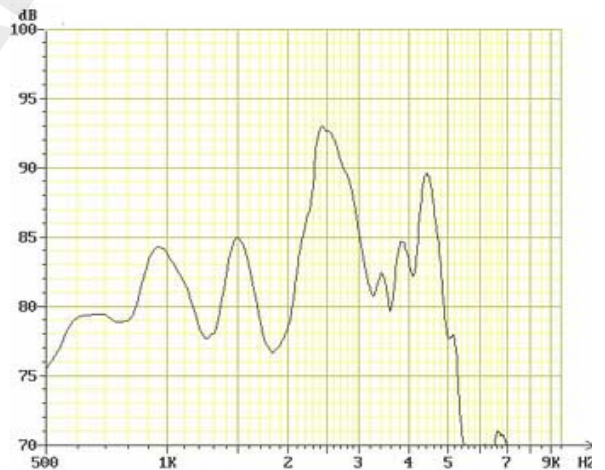
◆ Value applying at (rated voltage, 2400 Hz, 1/2 duty square wave)

**DIMENSIONS :**

(Unit: mm)



**FREQUENCY RESPONSE:**



Address: 3527.GA-DONG CHUNGGANG COMOLEX1258, GURO DONG  
SEOUL, KOREA

Tel: 82.2.6679.8796

Fax: 82.2.6679.7662

Web site: [WWW.GREENELEC.CO.KR](http://WWW.GREENELEC.CO.KR)

# ***SPECIFICATION SHEET***

***CUSTOMER:***

***PRODUCT:*** ELECTROMAGNETIC TRANSDUCER

***MODEL NUMBER:*** GEC-1285

---

GREEN

---

***ELECTRONICS CO., LTD.***

---



***TEL:*** +82.2.6679.8796

***FAX:*** +82.2.6679.7662

***ADD:*** 3527.GA-DONG CHUNGGANG COMOLEX1258, GURO DONG

SEOUL, KOREA ***Http://WWW.GRENELEC.CO.KR***

WE HERE APPLY FOR AUTHORIZATION TO SUPPLY THE ABOVE MENTIONED ON THE BASIS OF THE FOLLOWING SPECIFICATIONS.

1. SCOPE

THESE SPECIFICATIONS APPLIED TO THE ABOVE MENTIONED ELECTROMAGNETIC TRANSDUCER.

2. MECHANICAL CHARACTERISTICS

2-1 EXTERNAL DIMENSION

THE EXTERNAL DIMENSION, INDICATION ARE AS SHOWN IN DRAWING SHEETS.

2-2 APPEARANCE

THE FINISHING SHALL NOT BE ACCOMPANIED BY REMARKABLE RUST, DISTORTION, CREAK, ETC.

2-3 TENSILE STRENGTH OF TERMINAL PIN

EACH TERMINAL PIN SHALL BE NO ABNORMALITY WHEN THE EQUIPMENT IS PROPERLY FIXED AND 1kg OF LOAD IS GIVEN FOR  $30 \pm 5$  SECONDS IN AXIS DIRECTION OF TERMINAL.

3. ELECTRICAL CHARACTERISTICS (AT 25°C)

3-1 OPERATING VOLTAGE	: 1-3V
3-2 RATED VOLTAGE	: 1.5V
3-3 RESONANT FREQUENCY	: 2400 Hz
3-4 RATED CURRENT	: 40mA MAX.
3-5 SOUND PRESSURE LEVEL	: 85dB MIN.
3-6 COIL RESISTANCE	: $50 \pm 5$ OHM
3-7 COIL IMPEDANCE	: 80 OHM
3-8 OPERATING TEMPERATURE	: -20°C- +70°C
3-9 STORAGE TEMPERATURE	: -30°C- +80°C

DATE: 2007. 1. 3	PRODUCT SPECIFICATION GEC-1285 (ELECTROMAGNETIC TRANSDUCER)	CUSTOMER:
PAGE: 1/5		PRODUCER:

#### 4. RELIABILITY TEST

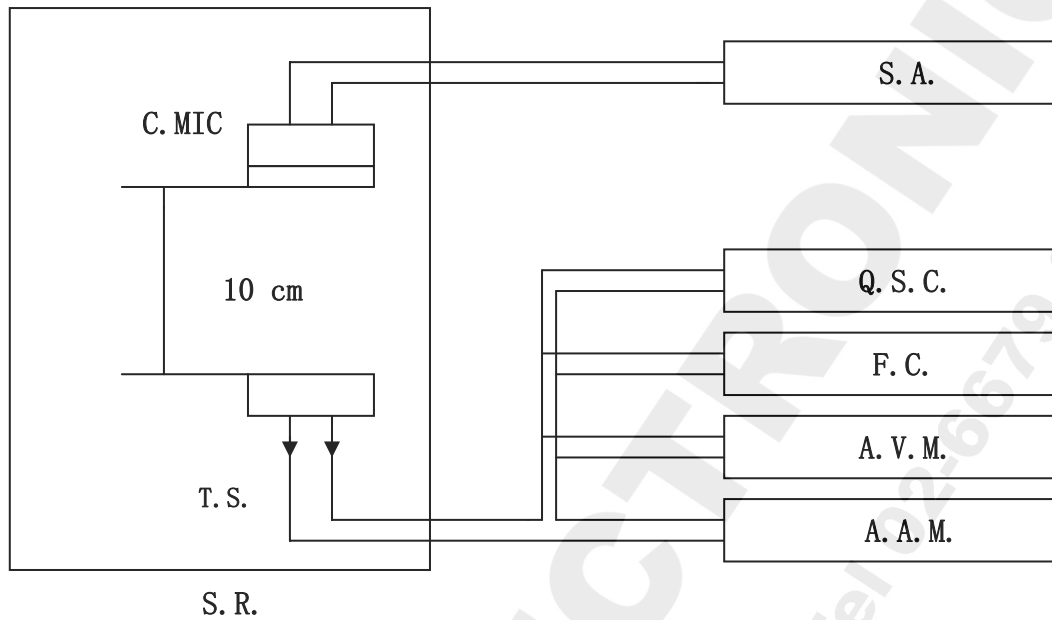
NO.	ITEM	TESTING CONDITION	VARIANCE AFTER TEST
4-1	HUMIDITY	55 ± 5°C, 95 ± 3%RH 96HRS	SOUND PRESSURE LEVEL INITIAL VALUE ± 10%
4-2	HIGH TEMP.	+80 ± 2°C, 96HRS	
4-3	LOW TEMP.	-30 ± 2°C, 96HRS	
4-4	TEMPERATURE CYCLING	-30 ± 2°C      30 MINUTES	
		ROOM TEMP.      10 MINUTES	
		+80 ± 2°C      30 MINUTES	
		ROOM TEMP.      10 MINUTES	
		5 CYCLES	
4-5	DROP TEST	3 TIMES FROM HEIGHT OF 50CM ON CONCRETE FLOOR	

NOTE:

1. TEST ITEM 4-4 AND 4-5 SHALL BE CONDUCTED WITH CIRCUIT STATE.
2. TEST SPECIMENS SHALL BE KEPT FOR 4 HRS, 25°C BEFORE MEASUREMENT.

DATE: 2007. 1. 3	PRODUCT SPECIFICATION GEC-1285 (ELECTROMAGNETIC TRANSDUCER)	CUSTOMER:
PAGE: 2/5		PRODUCER:

## 5. ELECTRICAL CHARACTERISTICS TEST METHOD



S. A. : SPECTRUM ANALYAER  
 F. C. : FREQUENCY COUNTER  
 A. A. M. : AC AMPERE METER  
 S. R. : SOUNDPROOF ROOM  
 A. V. M. : AC VOLT. METER  
 C. MIC : CONDENSER MIC  
 T. S. : TEST SAMPLE  
 Q. S. C. : OSCILLATOR

DATE: 2007. 1. 3

PRODUCT SPECIFICATION

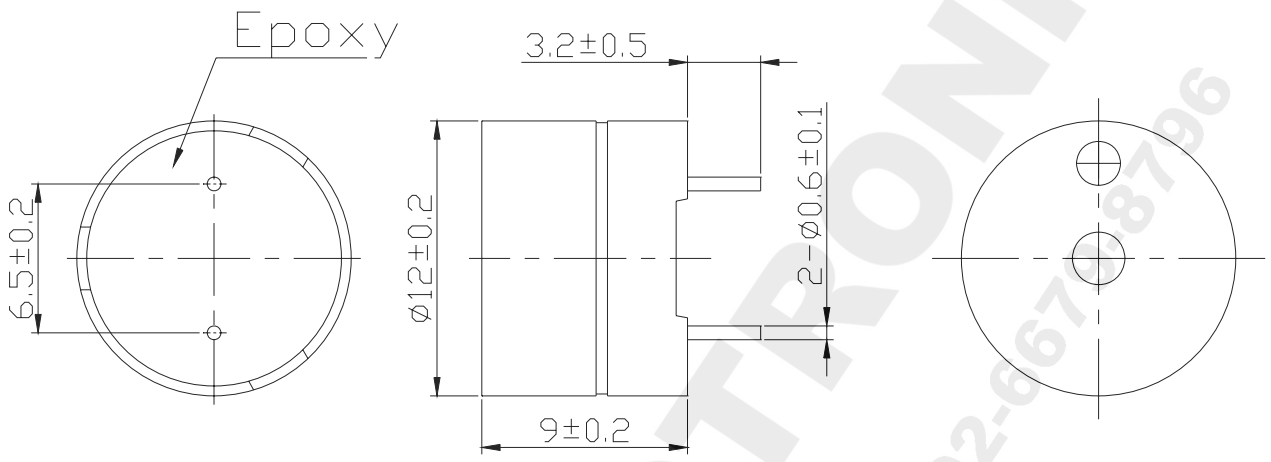
CUSTOMER:

PAGE: 3/5

GEC-1285  
(ELECTROMAGNETIC TRANSDUCER)

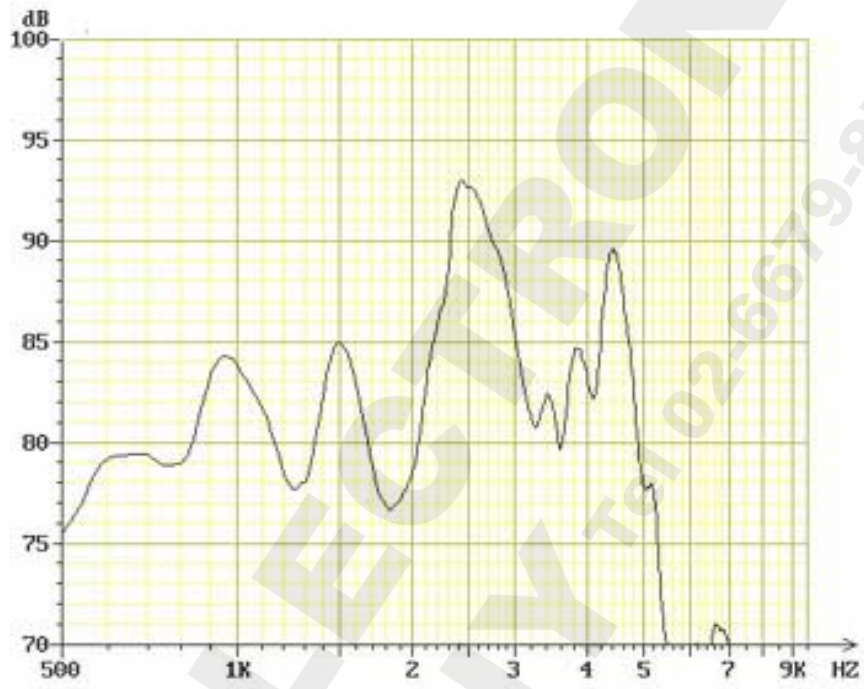
PRODUCER:

6. DIMENSION (UNIT: mm)



DATE: 2007. 1. 3	PRODUCT SPECIFICATION GEC-1285 (ELECTROMAGNETIC TRANSDUCER)	CUSTOMER:
PAGE: 4/5		PRODUCER:

7. FREQUENCY RESPONSE (typical curve of type GEC-1285)



DATE: 2007. 1. 3

PAGE: 5/5

PRODUCT SPECIFICATION  
GEC-1285  
(ELECTROMAGNETIC TRANSDUCER)

CUSTOMER:

PRODUCER: